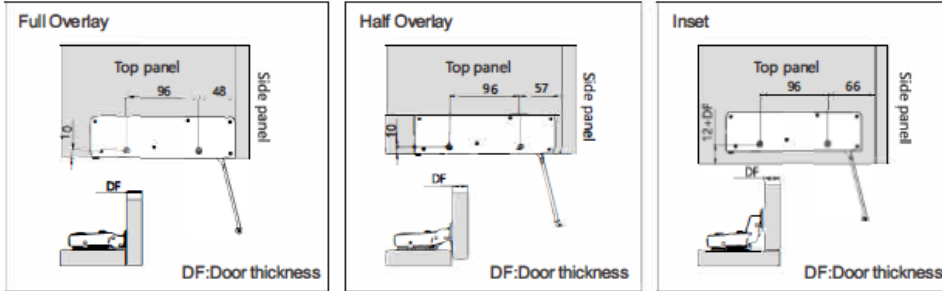


DOOR OPENER MS SERIES INSTALLATION ILLUSTRATION

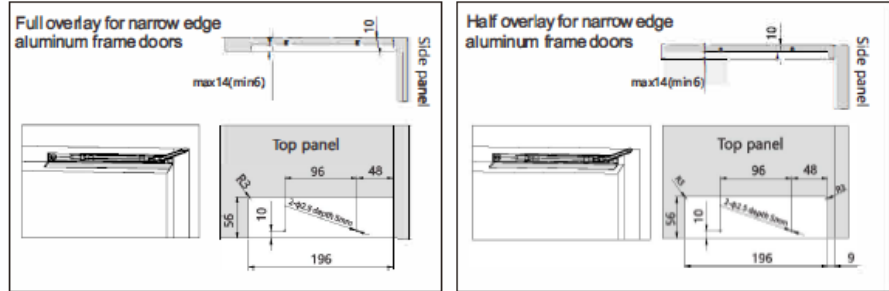
Installation Dimensions (mm)

For wooden doors and wide-edge aluminum frame doors

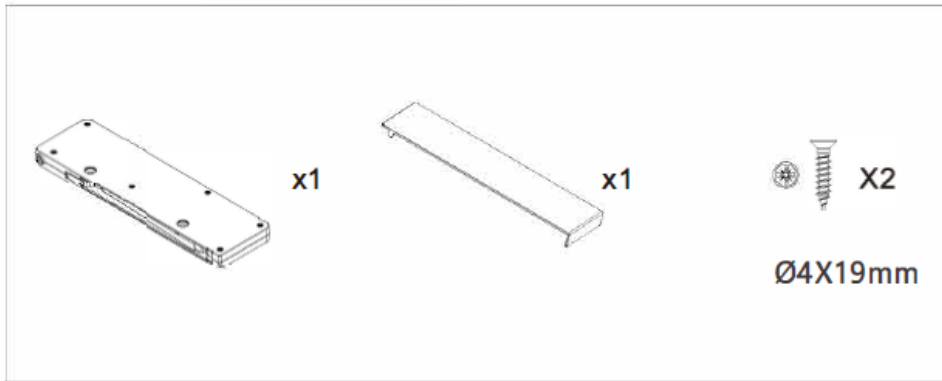


Installation Dimensions (mm)

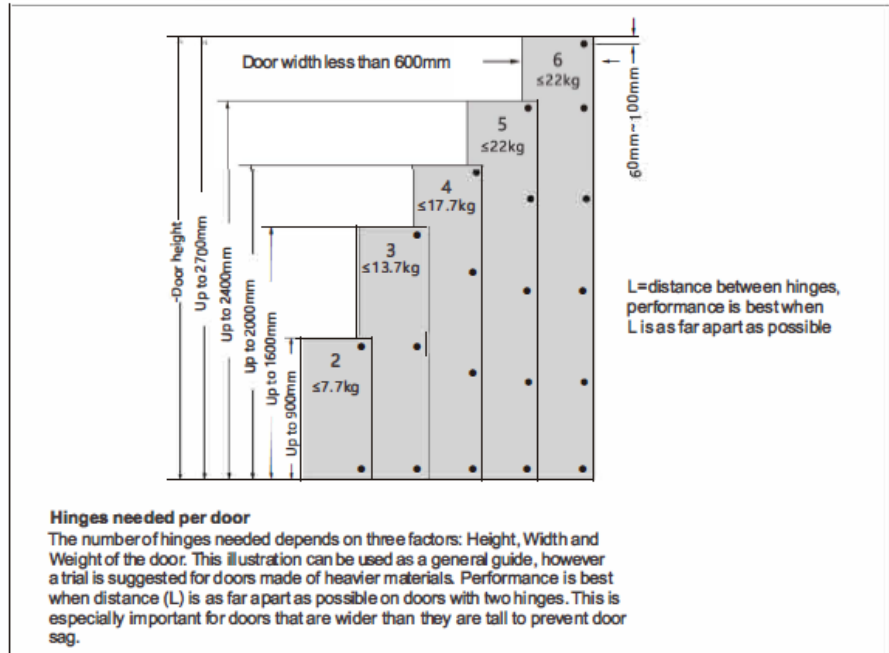
Cabinet processing - narrow edge aluminum frame doors



Product Component Composition



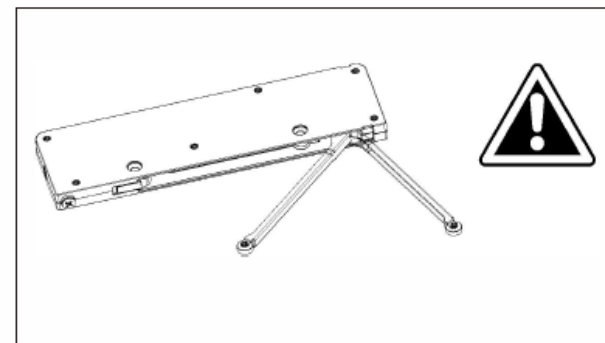
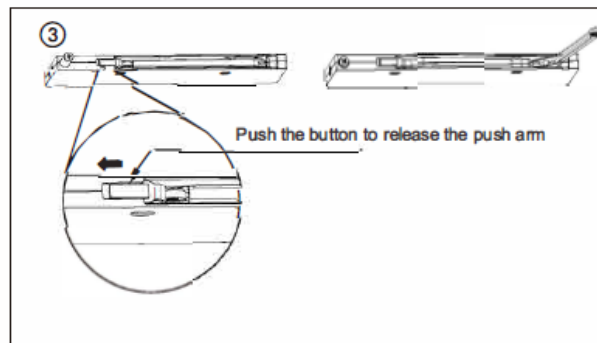
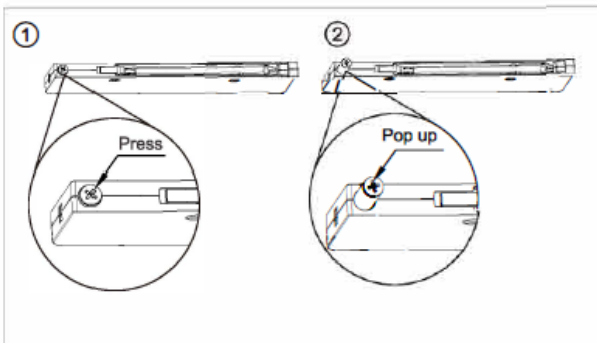
Recommended to Be Used with Soft-close Hinges



Door Opener for Cabinet Reference

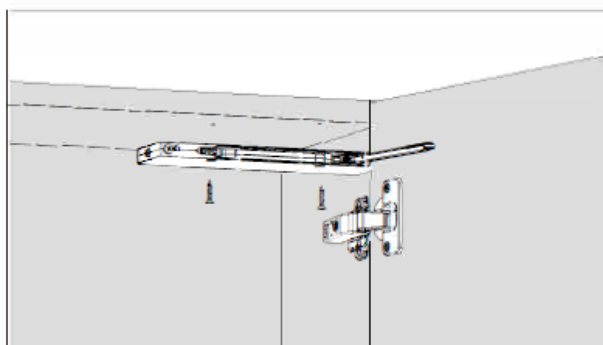
Dynamics	Applicable Cabinets
Weak	Cabinet with 2 soft-close hinges)
Medium	Cabinet with 2-4 soft-close hinges)
Strong	Cabinet with 4-6 soft-dose hinges)

Unlock the Push Arm

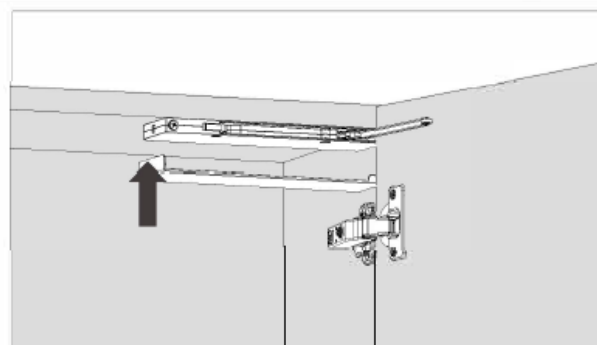


Use caution when unlocking the push arm as it might cause injury

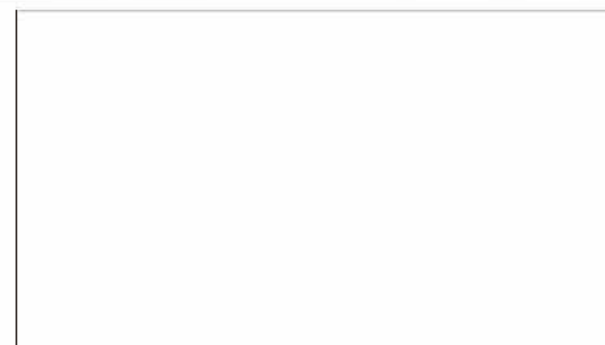
Installation



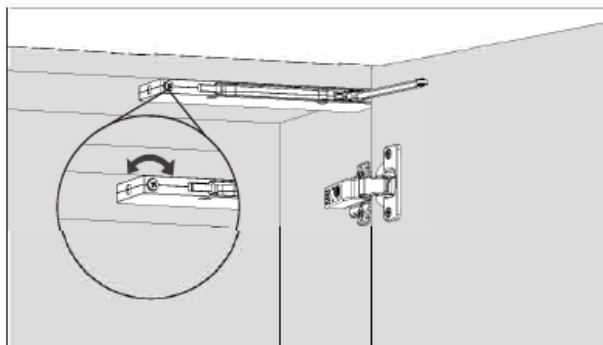
Pre-drill pilot holes on the top panel and fix screws



Install the decorative cover



Door Adjustment



F:Door gap min=3mm
adjustment -1 +4

