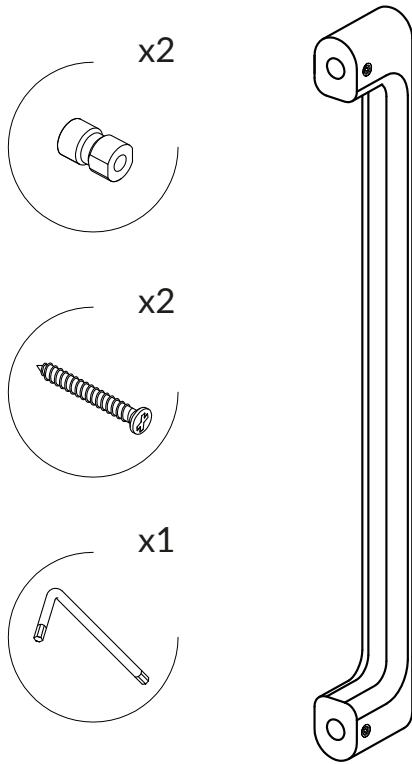
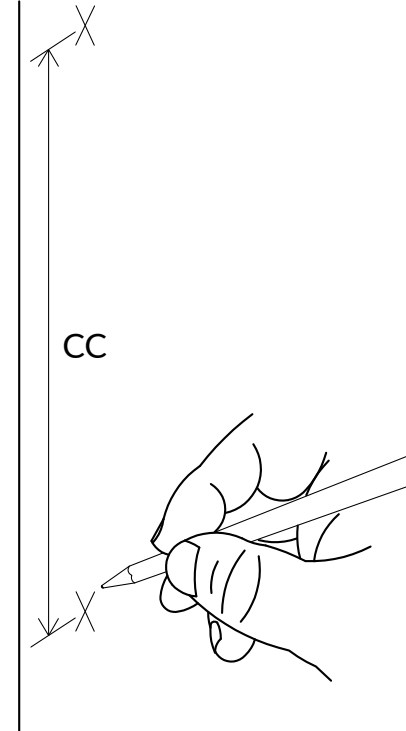


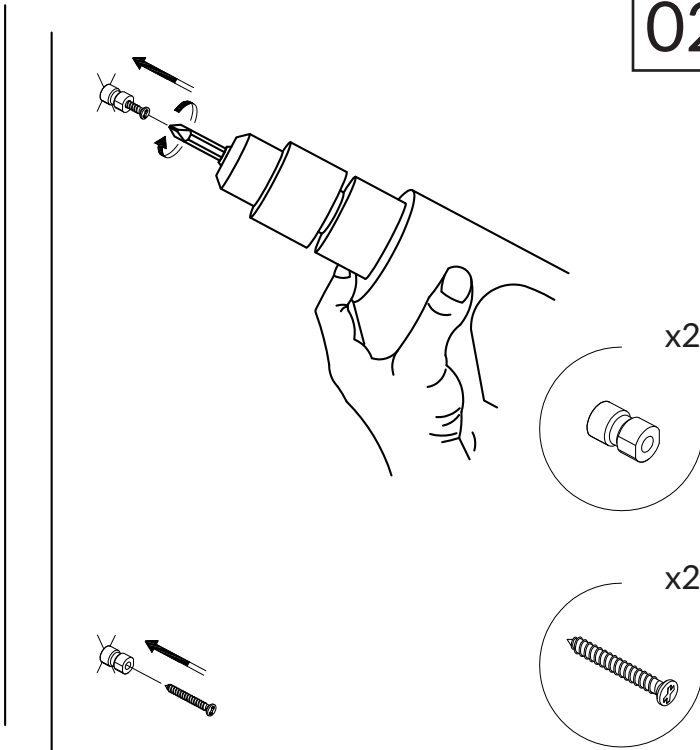
SANS VIS APPARENTE
WITHOUT VISIBLE SCREW



01



02



03

