

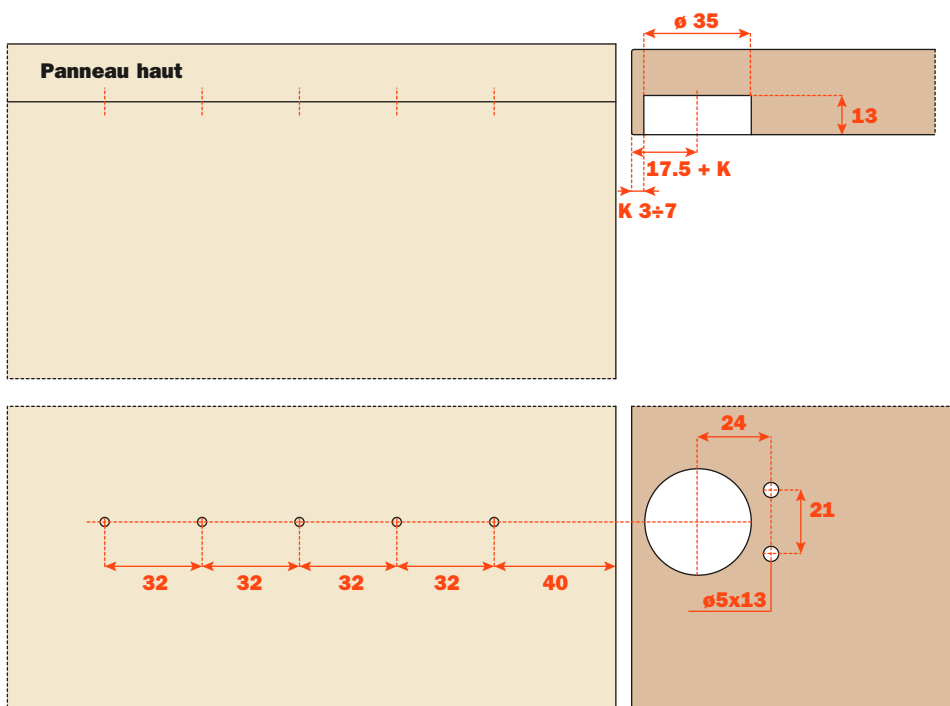
Informations techniques

Equerre à visser sous le montant haut du meuble dans les cas suivants :

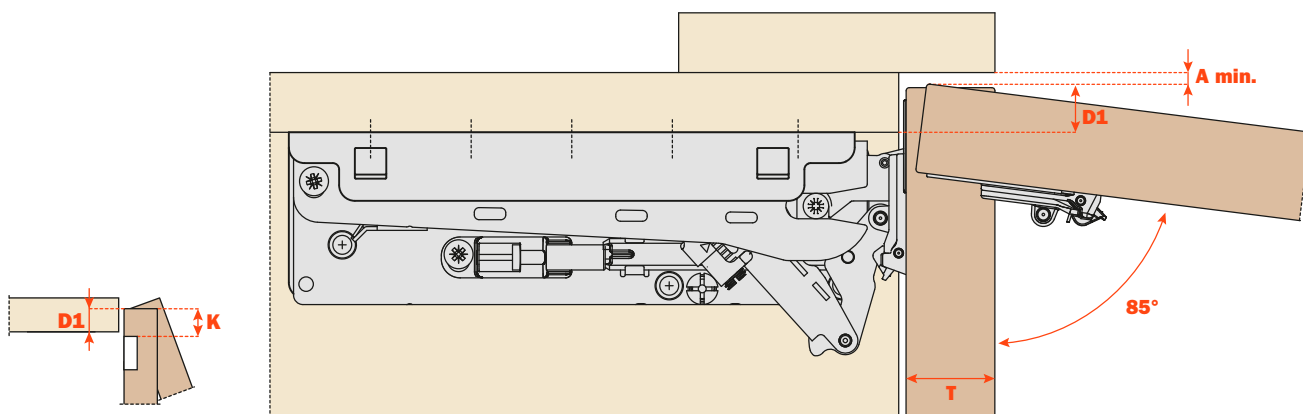
- meubles d'angle
- portes lourdes et de grandes dimensions

Il est conseillé de fixer l'équerre avec vis bois 4x18.

Perçages.

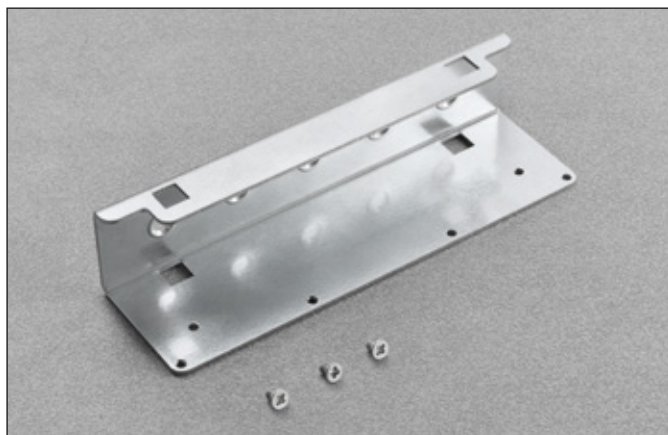


Jeu nécessaire pour l'ouverture de la porte.



K	D1
3	= 13
4	= 14
5	= 15
6	= 16
7	= 17

	T=	16	17	18	19	20	21	22	23	24	25	26	27	28
K=3	A = min	0	0.1	0.1	0.2	0.2	0.3	0.5	0.6	0.7	0.9	1.1	1.8	2.7
K=4	A = min	0	0.1	0.1	0.2	0.2	0.3	0.4	0.6	0.7	0.9	1.1	1.3	2.1
K=5	A = min	0	0.1	0.1	0.2	0.2	0.3	0.4	0.6	0.7	0.9	1.1	1.3	1.5
K=6	A = min	0	0.1	0.1	0.2	0.2	0.3	0.4	0.6	0.7	0.9	1.0	1.2	1.5
K=7	A = min	0	0.1	0.1	0.2	0.2	0.3	0.4	0.6	0.7	0.8	1.0	1.2	1.4



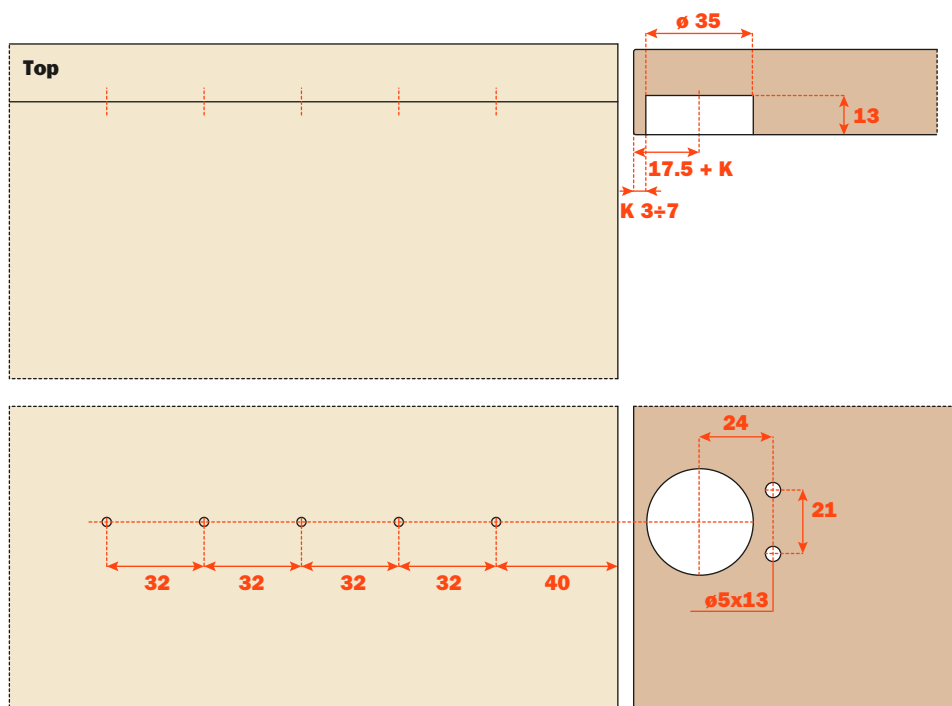
Technical information

Carrier to be screw-fixed to the top of the cabinet for use with:

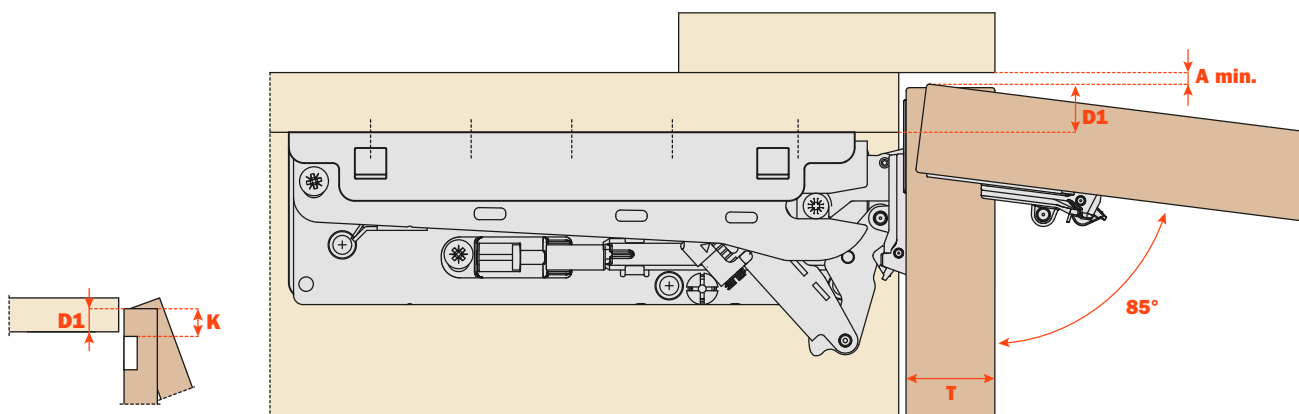
- corner cabinets
- doors of large weight and dimensions

We suggest to fix the carrier with wood screws 4x18.

Drilling patterns.



Space needed to open the door.



K	D1
3	= 13
4	= 14
5	= 15
6	= 16
7	= 17

	T=	16	17	18	19	20	21	22	23	24	25	26	27	28
K=3	A = min	0	0.1	0.1	0.2	0.2	0.3	0.5	0.6	0.7	0.9	1.1	1.8	2.7
K=4	A = min	0	0.1	0.1	0.2	0.2	0.3	0.4	0.6	0.7	0.9	1.1	1.3	2.1
K=5	A = min	0	0.1	0.1	0.2	0.2	0.3	0.4	0.6	0.7	0.9	1.1	1.3	1.5
K=6	A = min	0	0.1	0.1	0.2	0.2	0.3	0.4	0.6	0.7	0.9	1.0	1.2	1.5
K=7	A = min	0	0.1	0.1	0.2	0.2	0.3	0.4	0.6	0.7	0.8	1.0	1.2	1.4