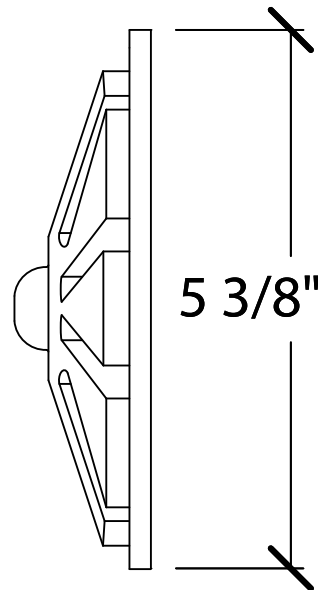
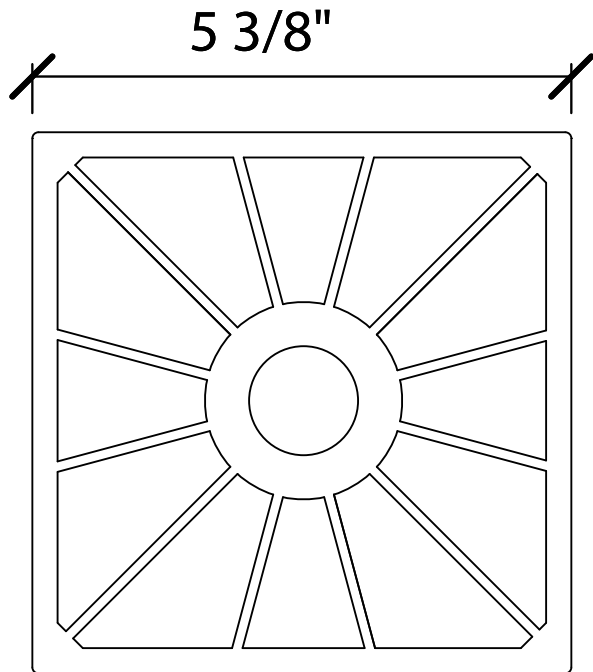
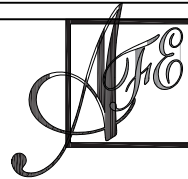


© Art For Everyday Inc.



PRODUCT CODE:

APL-PS2