

Exedra

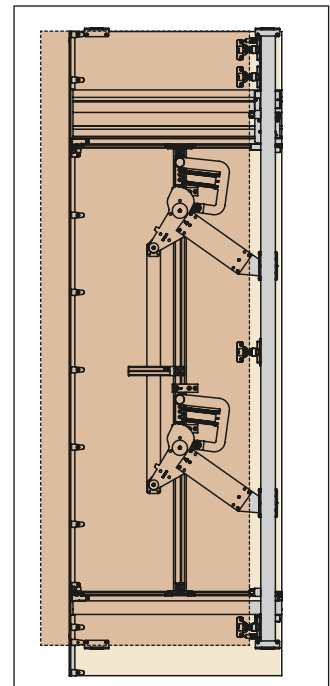
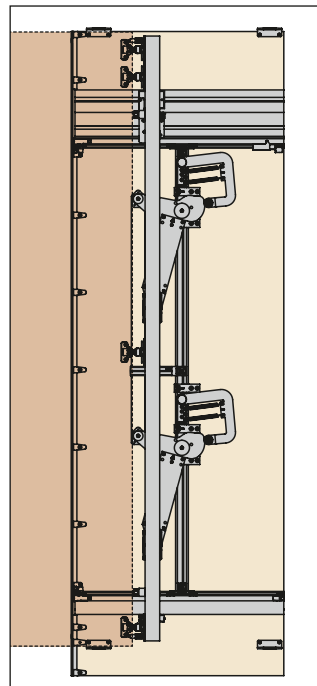
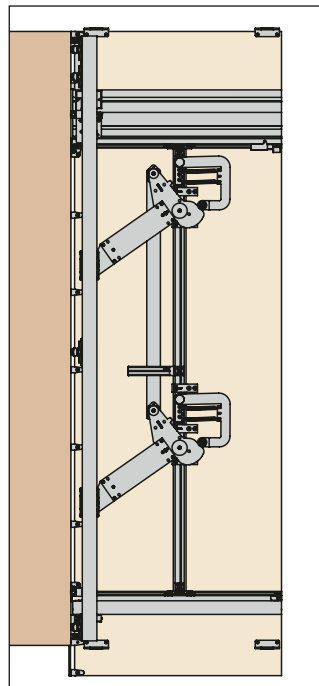
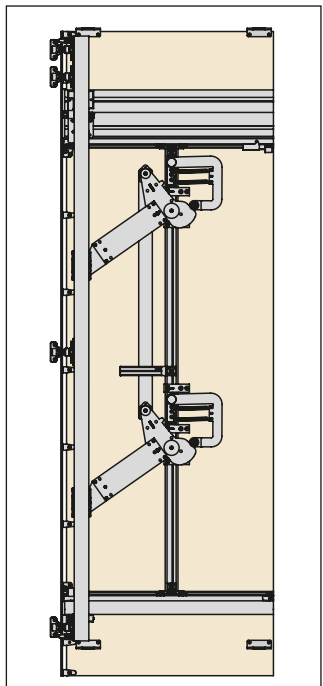




**** special application for door height between 1333 - 1575 mm with a maximum utilized cabinet depth (LPU) of 400 mm.**



Mechanism movement as the door leaves the recess.



Exedra allows smooth lateral assisted positive opening and cushioned soft-close movements, which are controlled by a safety device.

Exedra gives a smooth, fluent, uniform and noiseless movement, regardless of the speed of door insertion.

Product overview

Mechanism elements

- Aluminum profiles: 6060T5 alloy, silver anodized
- Components made of plastic, steel and zinc alloy

Tech features:

- Maximum weight for each door : up to 66 lbs (30 Kg)
(with 5 of hinges allowed).
- Thickness: - minimum 19 mm (3/4")
- maximum 30 mm (1 - 3/16")
- Width: - minimum 400 mm (15 - 3/4")
- maximum 900 mm (35 - 7/16")
- Height:** - minimum 1333 mm (52 - 1/2")
- minimum 1359 mm (53 - 1/2") with roller kit
- maximum 2530 mm (99 - 5/8")
- Door vertical adjustment + 4/-1 mm
- Door horizontal adjustment \pm 2 mm
- Door front adjustment \pm 4 mm
- Assisted door extraction movement
- Soft closing buffer with a linear magnetic damper
- Material:
 - a) wood or derivatives
 - b) metal and glass frame
- Standard projection of the door in open position: 107 mm (4 - 3/16") when allowed
- Recommended space below the door: 5 mm (3/16")

1 Cam-assisted door insertion and extraction movement.

2 Magnetic buffer for soft insertion.

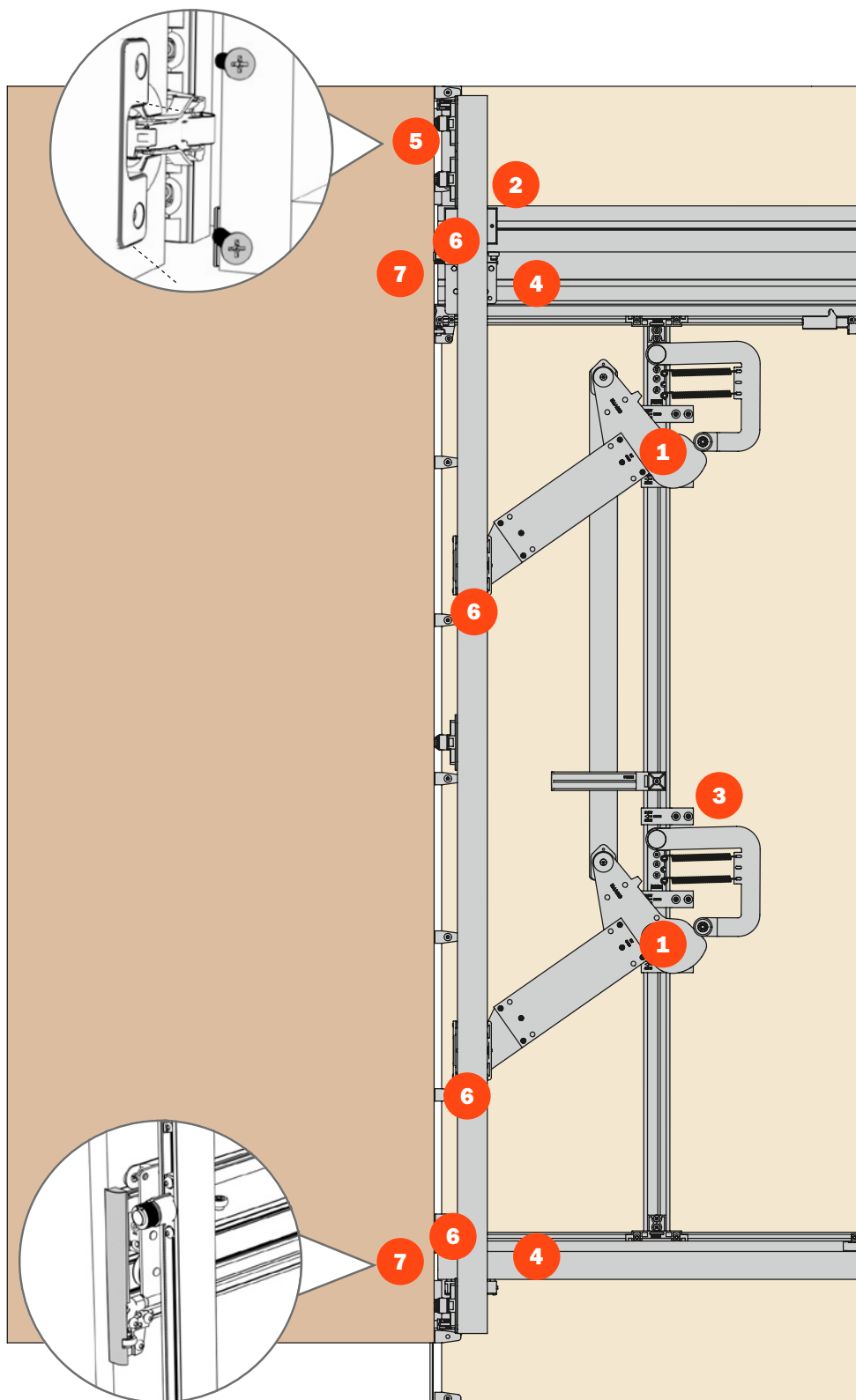
3 Slide-in installation to facilitate installation and removal of the mechanism from the front.

4 Sliding carriage.

5 Quick coupling hinges.

6 All adjustments are accessible from the front of the cabinet.

7 Profile cover caps (included in the standard versions).

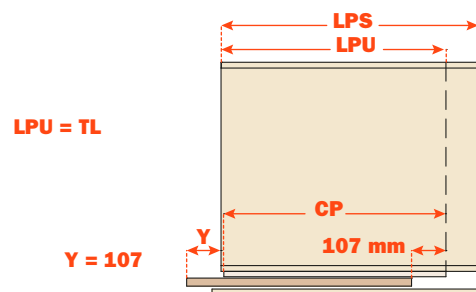
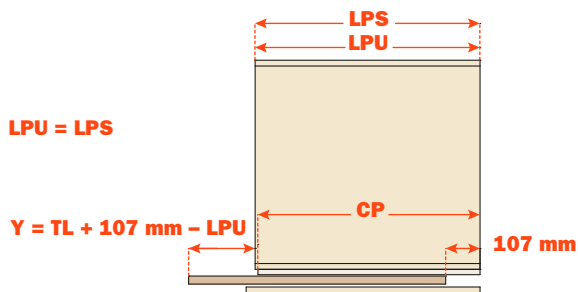
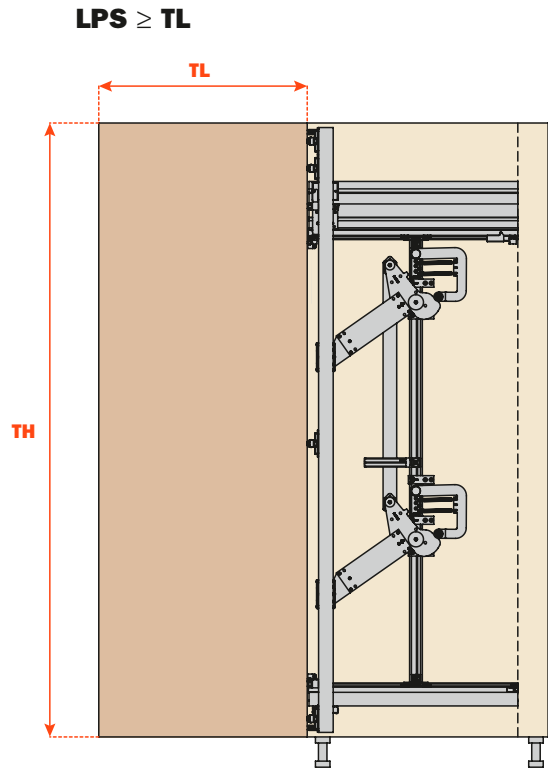
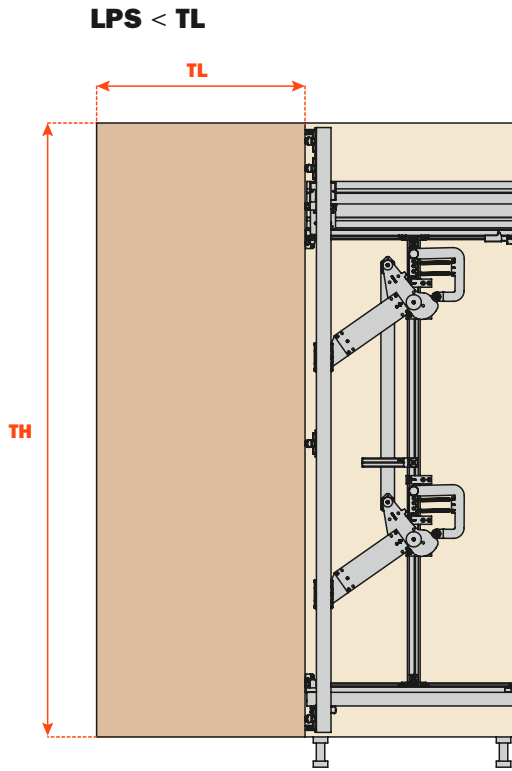


Exedra - Calculation for door protrusion from front of cabinet

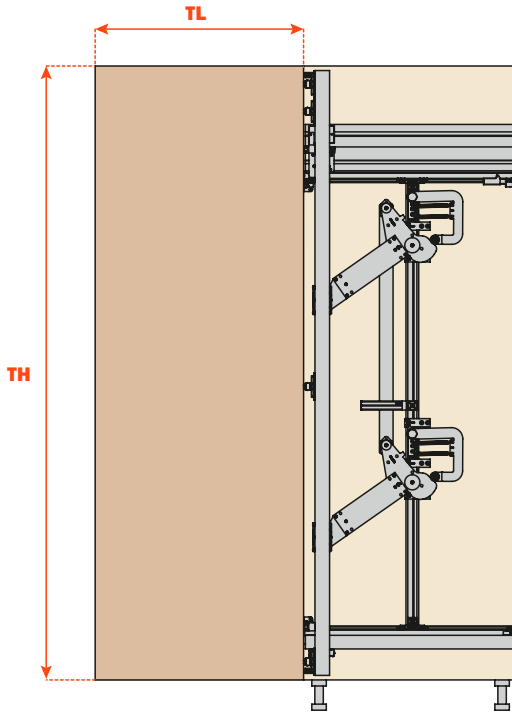
Abbreviations

LPS Total external depth of the cabinet
LPU Usable external depth of the cabinet
TL Door width

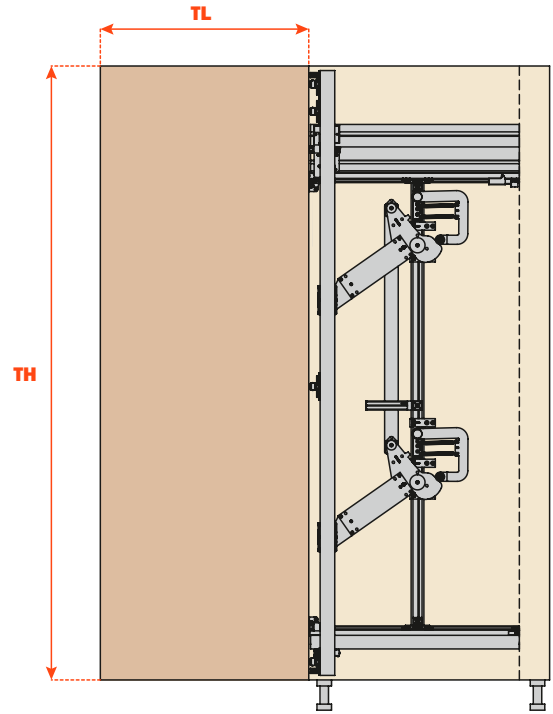
TH Door height
CP Profile length
Y Door protrusion (projection from cabinet edge)



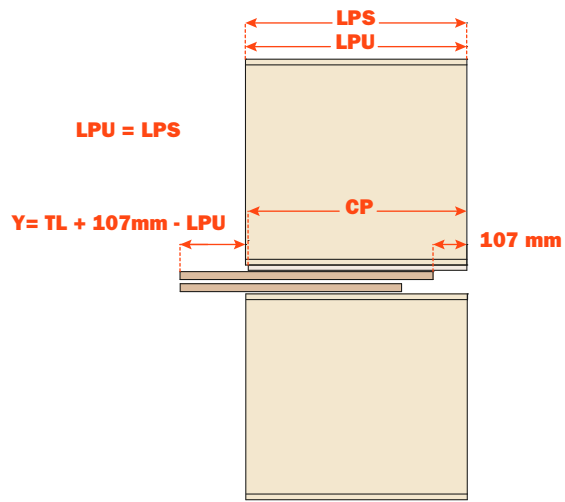
LPS < TL



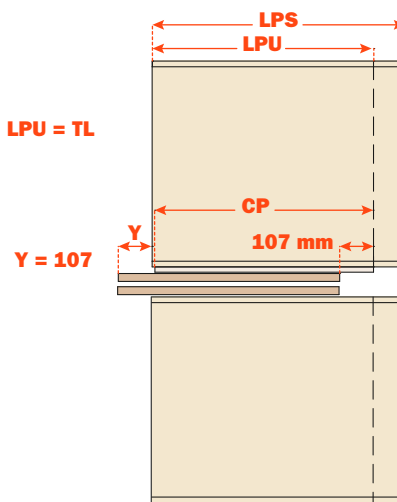
LPS ≥ TL

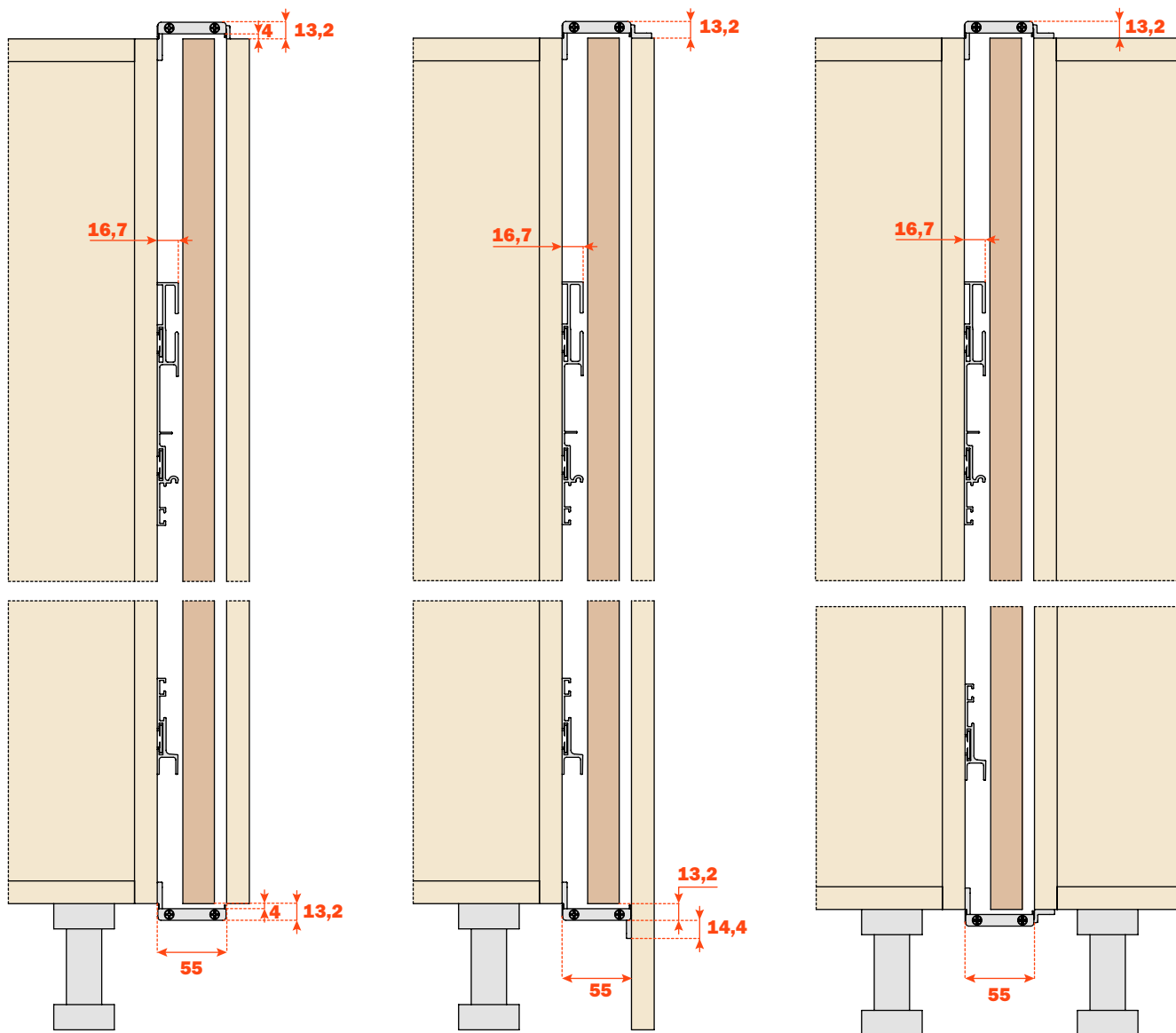


LPU = LPS

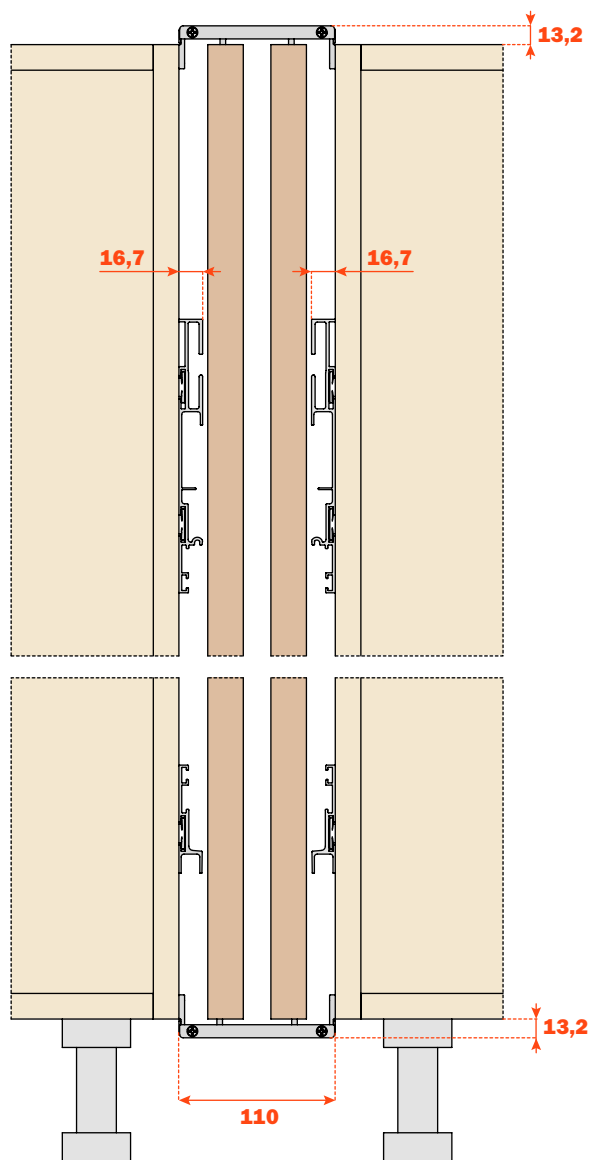
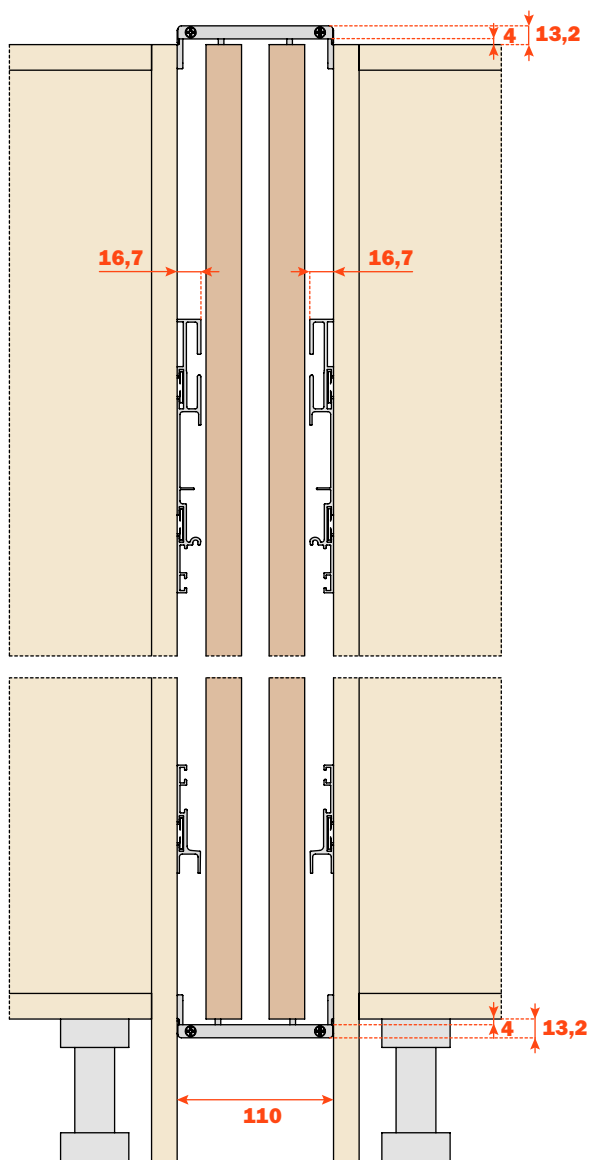


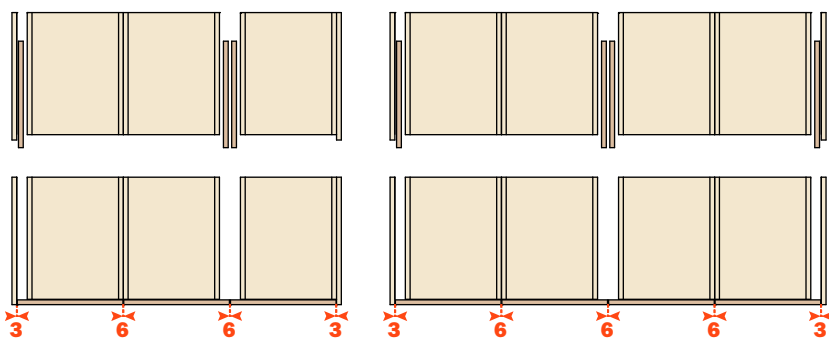
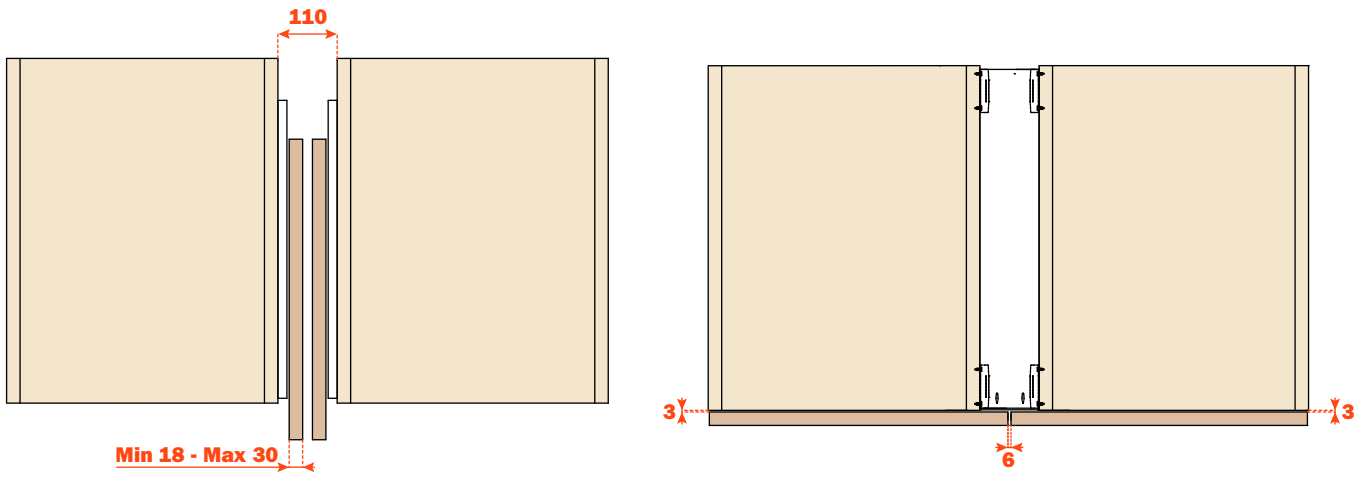
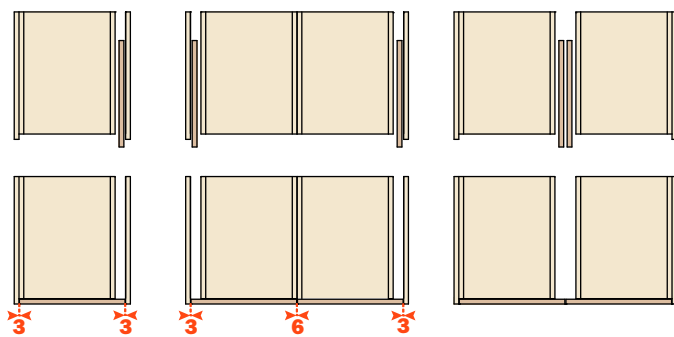
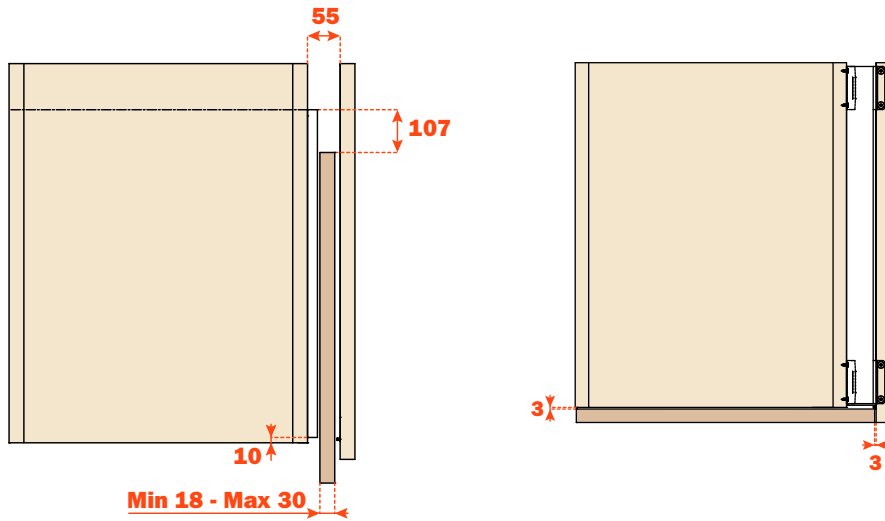
LPU = TL





Typical Assembly- 2 doors





ARTURO SALICE S.p.A.

VIA PROVINCIALE NOVEDRATESE, 10
22060 NOVEDRATE (COMO) ITALIA
TEL. 031 790424
FAX 031 791508
info.salice@salice.com
www.salice.com

BORTOLUZZI SISTEMI S.p.A.

VIA CADUTI 14 SETTEMBRE 1944, 45
32100 BELLUNO ITALIA
TEL. 0437 930866
FAX 0437 931442
info@bortoluzzi.com
www.bortoluzzi.com

DEUTSCHE SALICE GMBH

RUDOLF DIESEL STR. 10
POSTFACH 1154
74382 NECKARWESTHEIM
TEL. 07233 9807-0
FAX. 07233 9807-16
info.salice@deutschesalice.de
www.deutschesalice.de

SALICE UK LTD.

KINGFISHER WAY
HINCHINGBROOKE BUSINESS PARK
HUNTINGDON CAMBS PE 29 6FN
TEL. 01480 413831
FAX. 01480 451489
info.salice@saliceuk.co.uk
www.saliceuk.co.uk

DEUTSCHE SALICE GMBH

VERKAUFSBÜRO NORD
RINGSTRASSE 36/A30 CENTER
32584 LÖHNE
TEL. 05731 15608-0
FAX. 05731 15608-10
vknord@deutschesalice.de
www.deutschesalice.de

SALICE AMERICA INC.

2123 CROWN CENTRE DRIVE
CHARLOTTE NC. 28227
TEL. 704 8417810
FAX. 704 8417808
info.salice@saliceamerica.com
www.saliceamerica.com

SALICE FRANCE S.A.R.L.

ROUTE DE GOA ZAC LES 3 MOULINS
06600 ANTIBES
TEL. 0493 330069
FAX. 0493 330141
info.salice@salicefrance.com
www.salicefrance.com

SALICE CANADA INC.

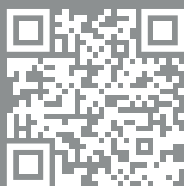
3500 RIDGEWAY DRIVE,
UNIT#1
MISSISSAUGA, ONTARIO, L5L 0B4
TEL. 905 8208787
FAX. 905 8207226
info.salice@salicecanada.com
www.salicecanada.com

SALICE ESPAÑA, S.L.U.

CALLE COPÉRNICO, 11
POLÍGONO INDUSTRIAL
COLL DE LA MANYA
08403 GRANOLLERS (BARCELONA)
TEL. 938 45 88 61
FAX 938 49 11 97
info.salice@saliceespana.es
www.saliceespana.es

SALICE CHINA (SHANGHAI) CO. LTD.

1st FLOOR, B1 BLDG 928 MINGZHU ROAD
XUJING, QINGPU DISTRICT
SHANGHAI 201702 - CHINA
Tel. 021 3988 9880
Fax 021 3988 9882
info.salice@salicechina.com
www.salicechina.com



Contenus digitaux:

- **Prospectus technique en Pdf**

Nous nous réservons le droit de modifier les spécificités techniques.

DOCASS002FRA
Ed. 05 - 03/2019

