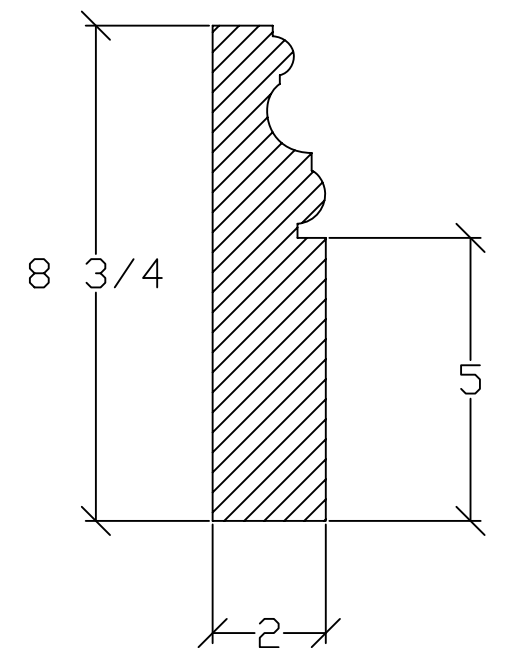


Side view



A

PRODUCT CODE: MLD-NC11