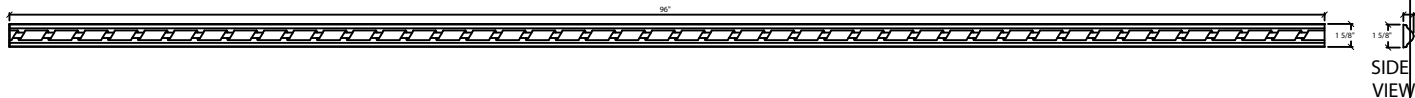
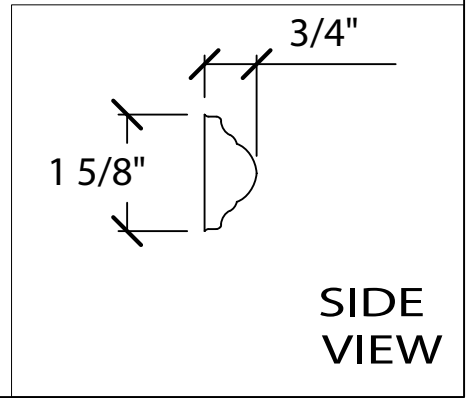
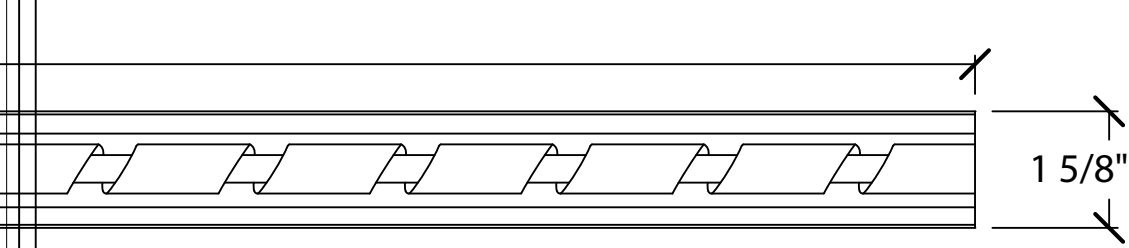


© Art For Everyday Inc.<sup>96"</sup>



SIDE VIEW



SIDE VIEW

PRODUCT CODE: MLD-R2