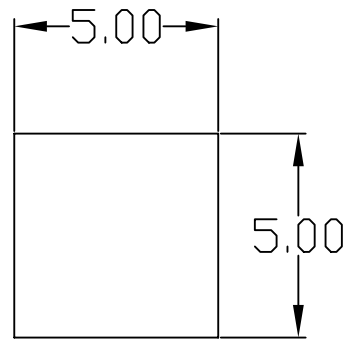
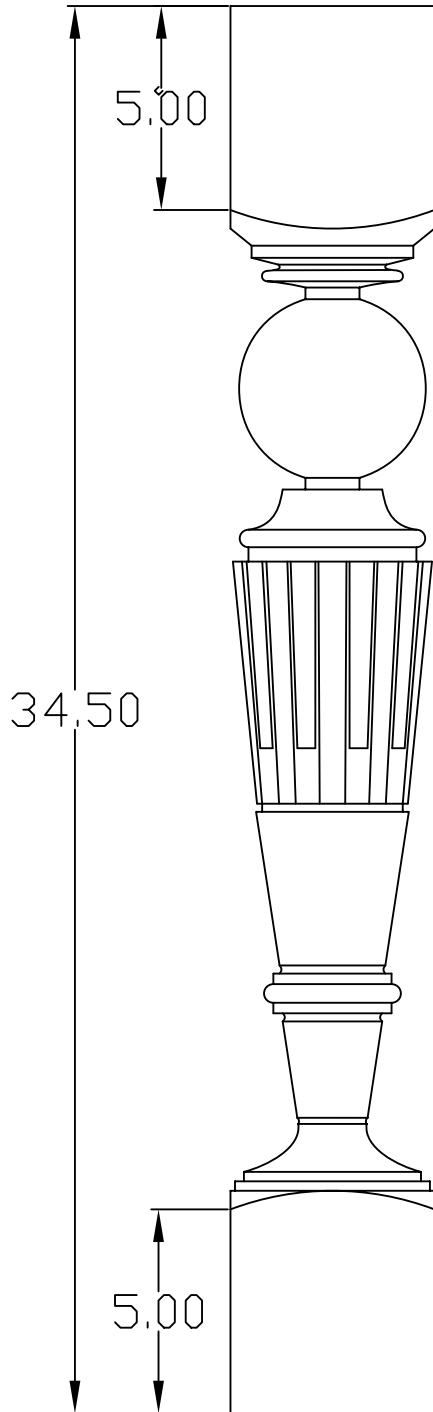
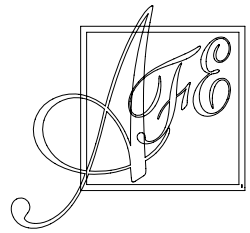


Art for everyday



PRODUCT CODE:

POST-NCE2