



Pacta
SALICE

PACTA



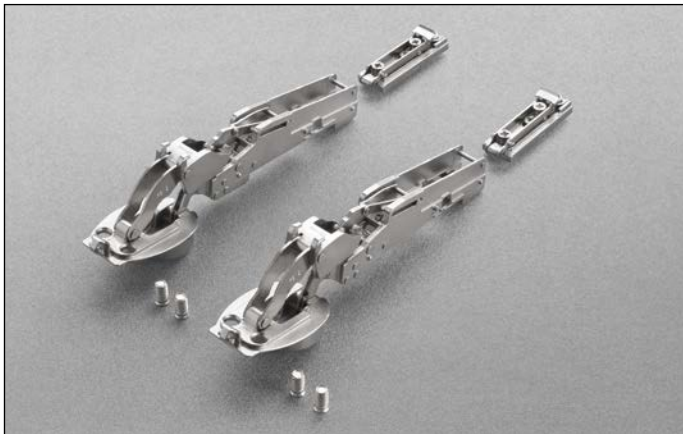
Pacta is a compact hinge system for drop down doors that open downwards without the need for additional flap stays or cables.

Pacta has a soft opening system for a controlled and gradual opening.

In the fully-open position, the door and cabinet bottom panel are aligned, creating a uniform and flat surface.

Available in either Soft Opening with Self close feature or Soft Opening with Push to open feature for handle-less doors. Pacta covers are offered in a variety of finishes to complement and blend with any interior. Application possibilities are endless: kitchen & bathroom cabinets, living room furniture and can also be used to create desks or writing surfaces.





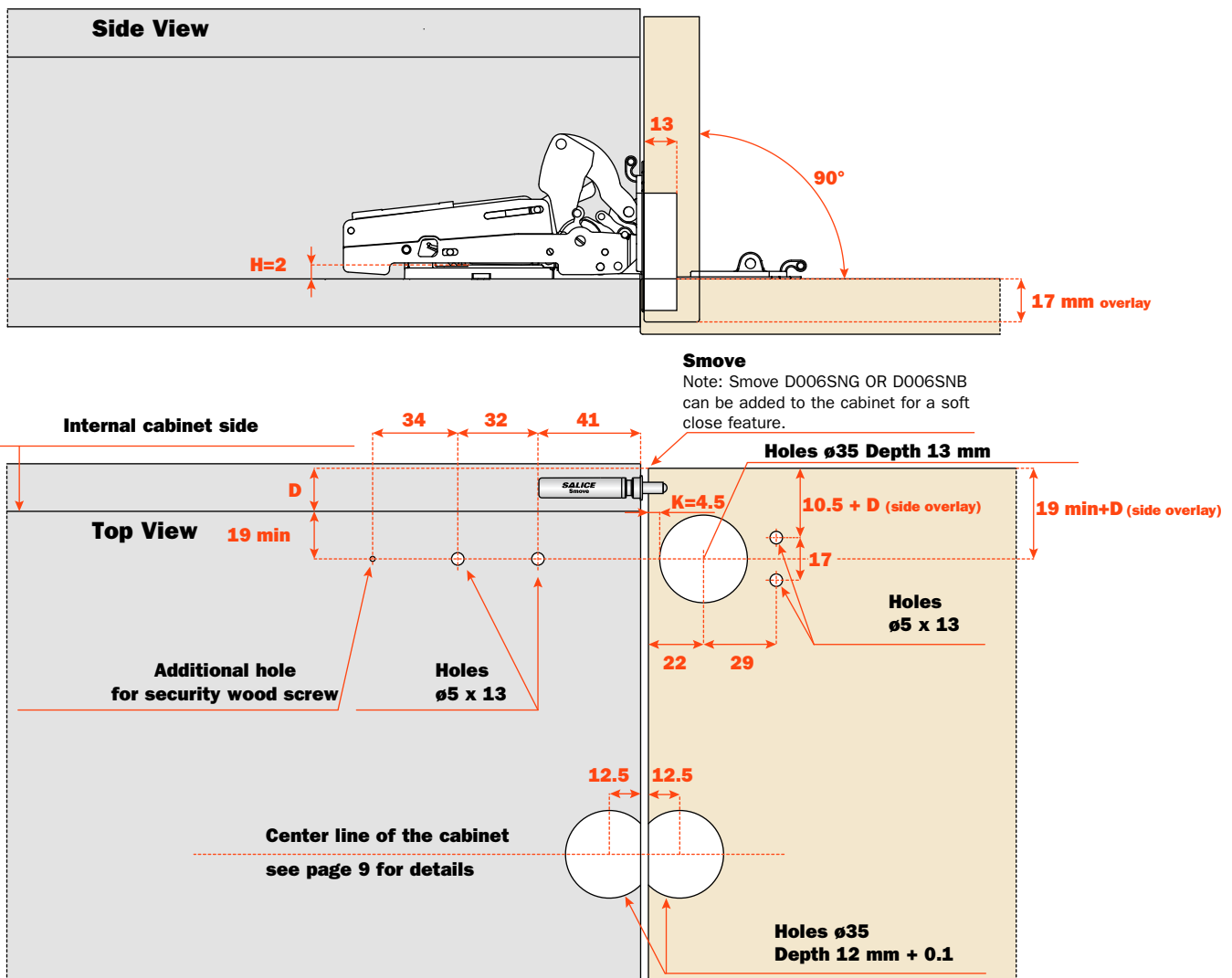
Technical information

Hinges with Soft Opening and self close feature.

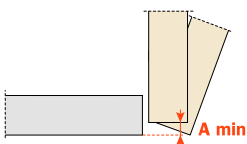
Standard drilling of the door \varnothing 35.
 13 mm deep cup.
 90° opening.
 Fixed K = 4.5 mm.
 Minimum door height of 11"
 Maximum door height of 16"
 Minimum door thickness of 16 mm
 Maximum door thickness of 28 mm.
 Overlay 17 mm \pm adjustment.
 Attachment to the cabinet with in-line, snap-on mounting plate (BAPGR29/16).

Pacta is tested and certified to level 3 of UNI EN 15828:2010

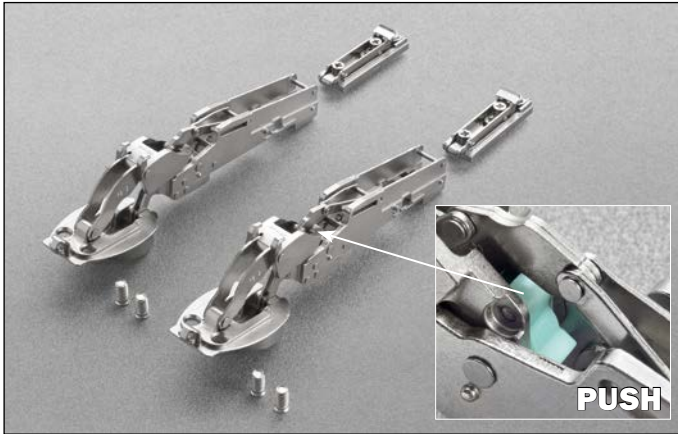
Drilling patterns



Space needed to open the door



	T=	16	17	18	19	20	21	22	23	24	25	26	27	28
K=4.5	A=	1.3	2.1	3	3.9	4.8	5.7	6.6	7.5	8.5	9.4	10.4	11.3	12.3



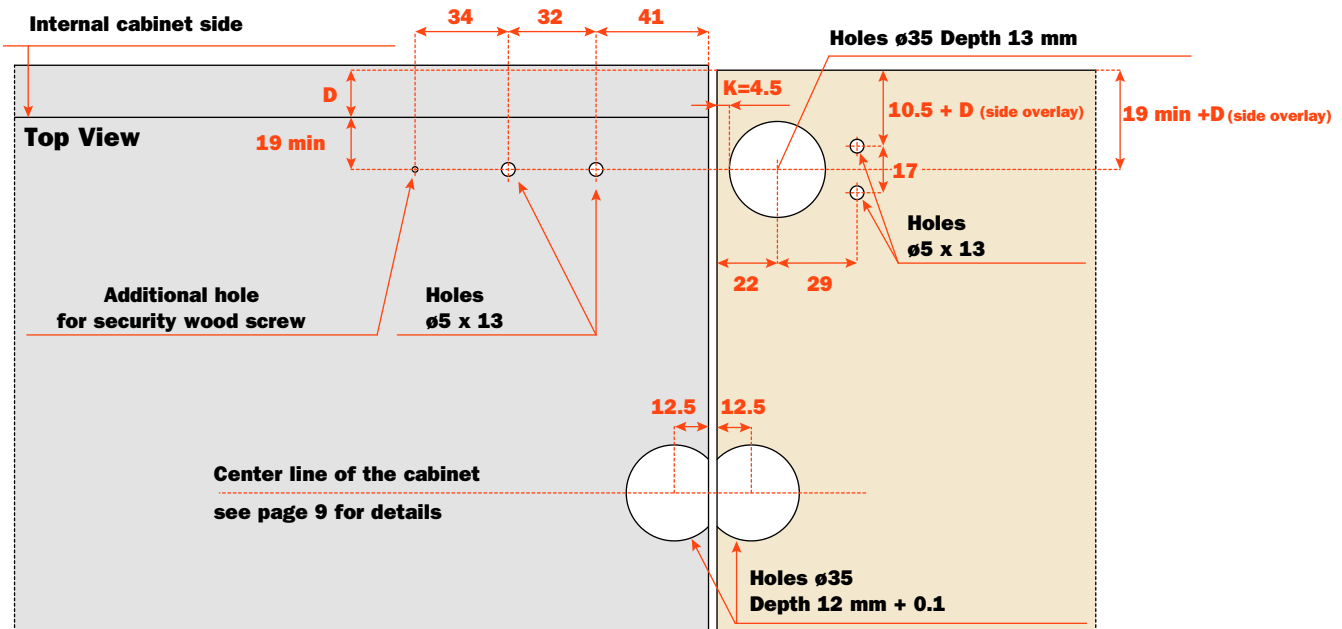
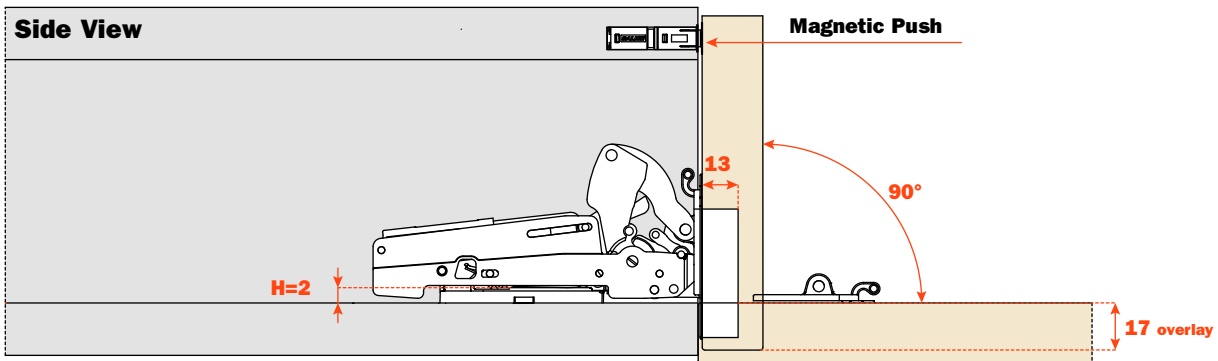
Technical information

Hinges with Soft Opening and Push to open feature.

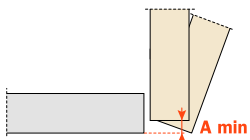
Standard drilling of the door \varnothing 35.
 13 mm deep cup.
 90° opening.
 Fixed K = 4.5 mm.
 Minimum door height of 11"
 Maximum door height of 16"
 Minimum door thickness of 16 mm
 Maximum door thickness of 28 mm.
 Overlay 17 mm \pm adjustment.
 Attachment to the cabinet with in-line, snap-on mounting plate (BAPGR29/16).

Pacta is tested and certified to level 3 of UNI EN 15828:2010

Drilling patterns

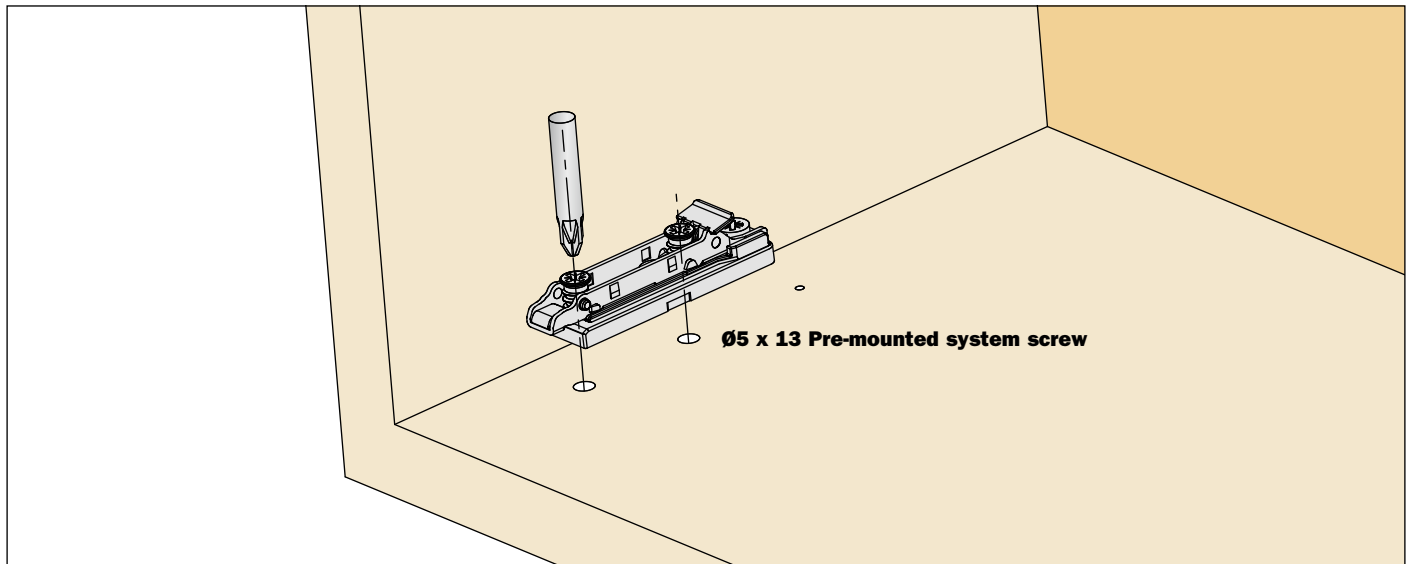


Space needed to open the door

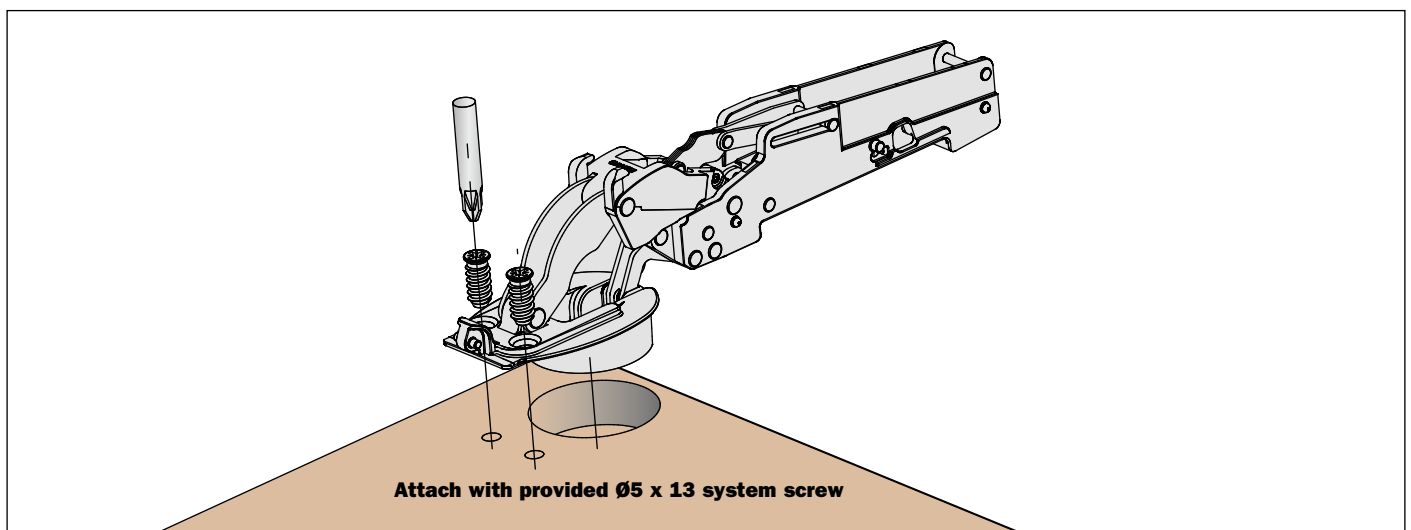


	T=	16	17	18	19	20	21	22	23	24	25	26	27	28
K=4.5	A=	1.3	2.1	3	3.9	4.8	5.7	6.6	7.5	8.5	9.4	10.4	11.3	12.3

Attaching the mounting plate to the cabinet

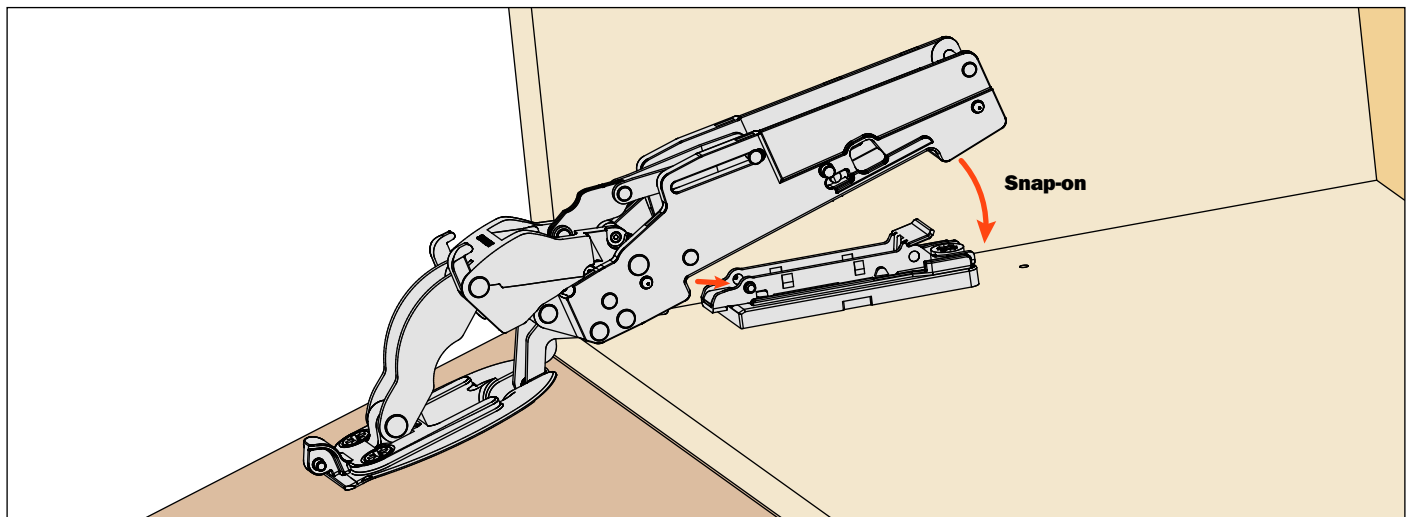


Attaching the hinge to the door

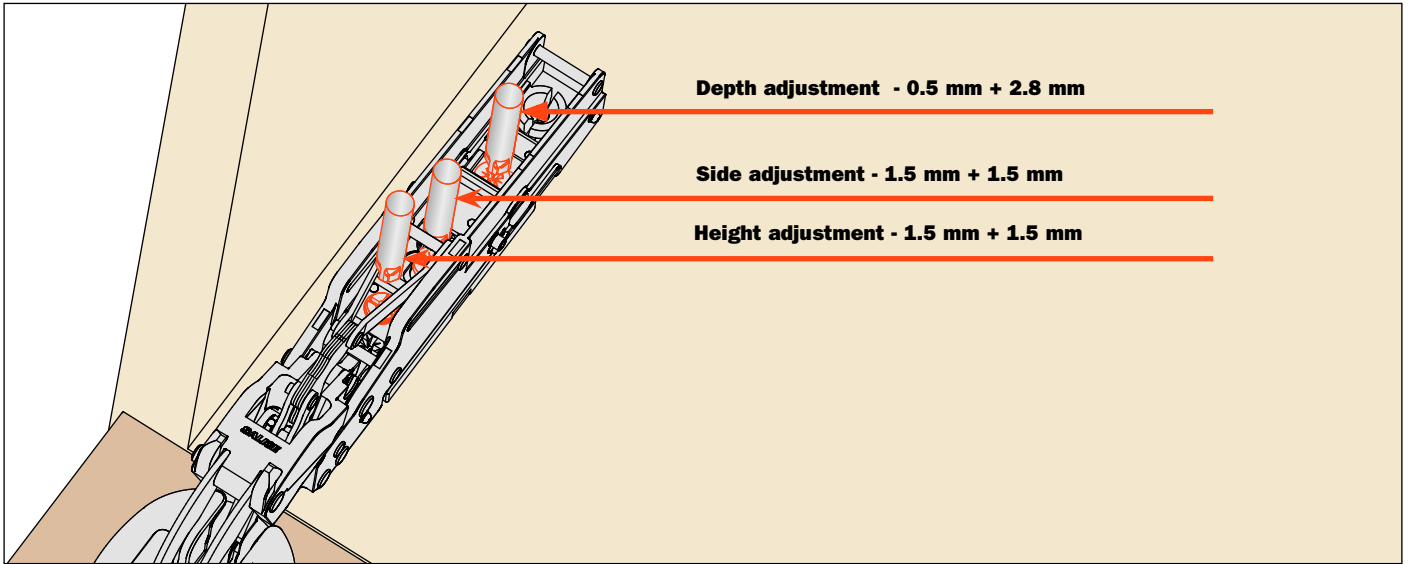


Attaching the door to the cabinet

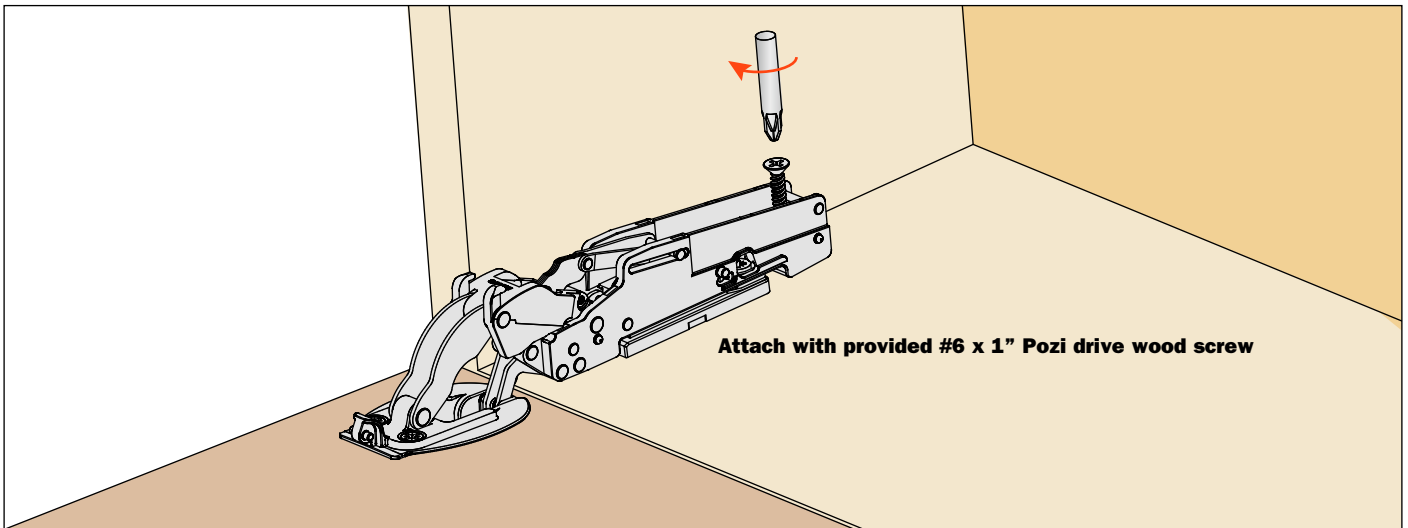
Snap the hinge arm onto the mounting plates. This operation is tool free.



Adjustments

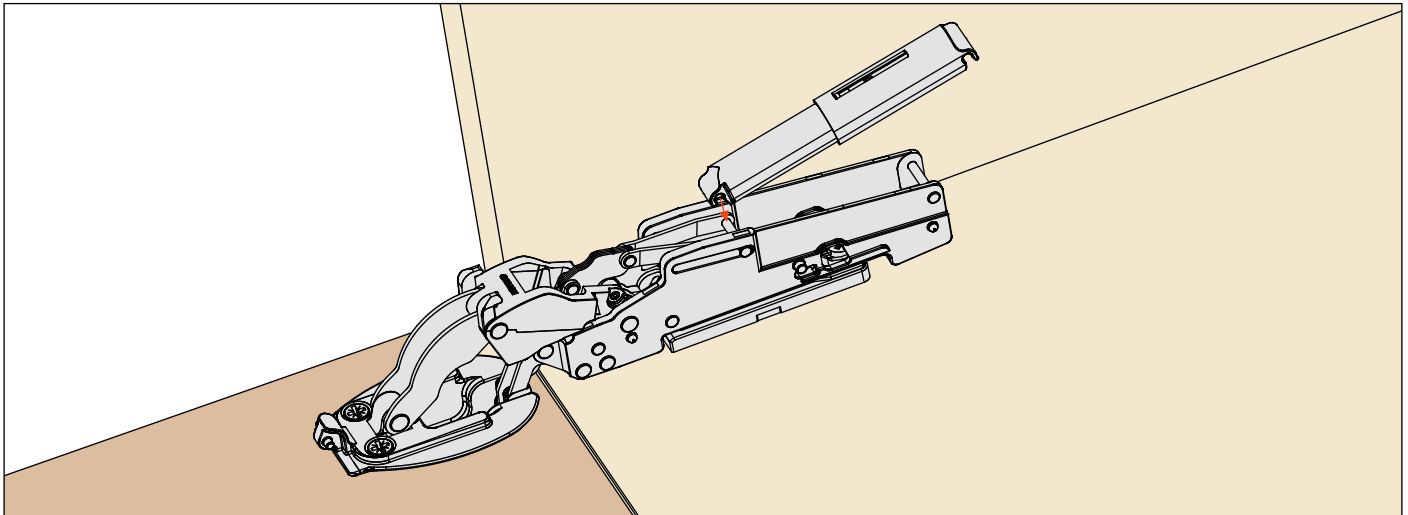


Attach the security wood screw

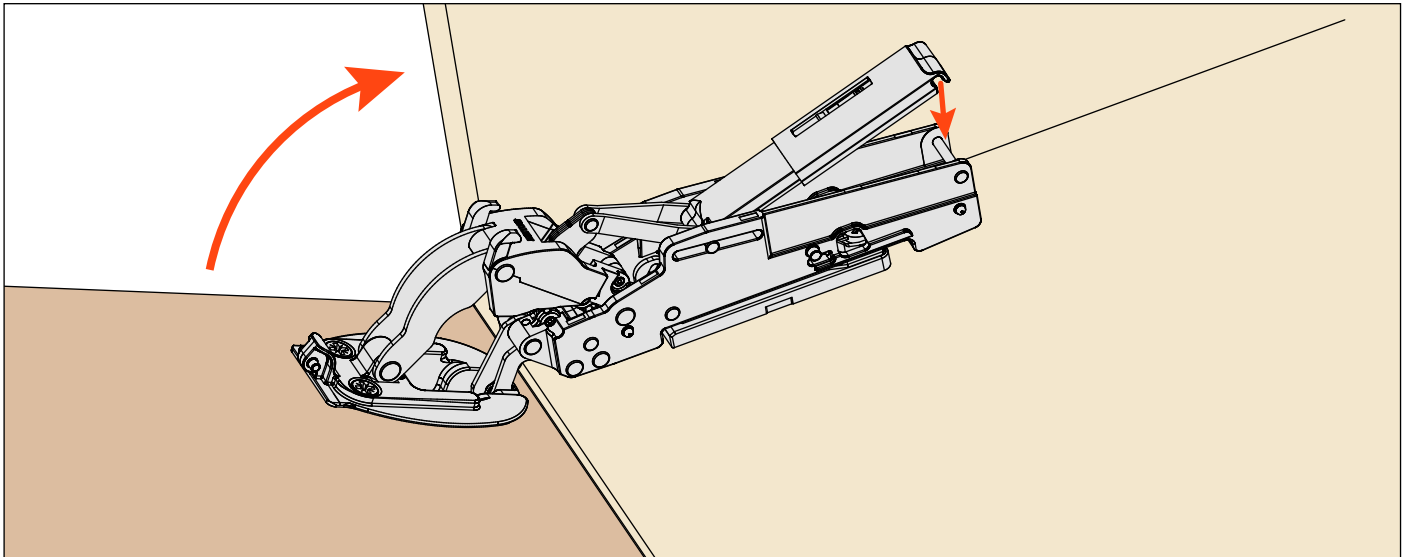


Installing the Smove

Snap the narrow end of the Smove into position. This operation is tool-free.

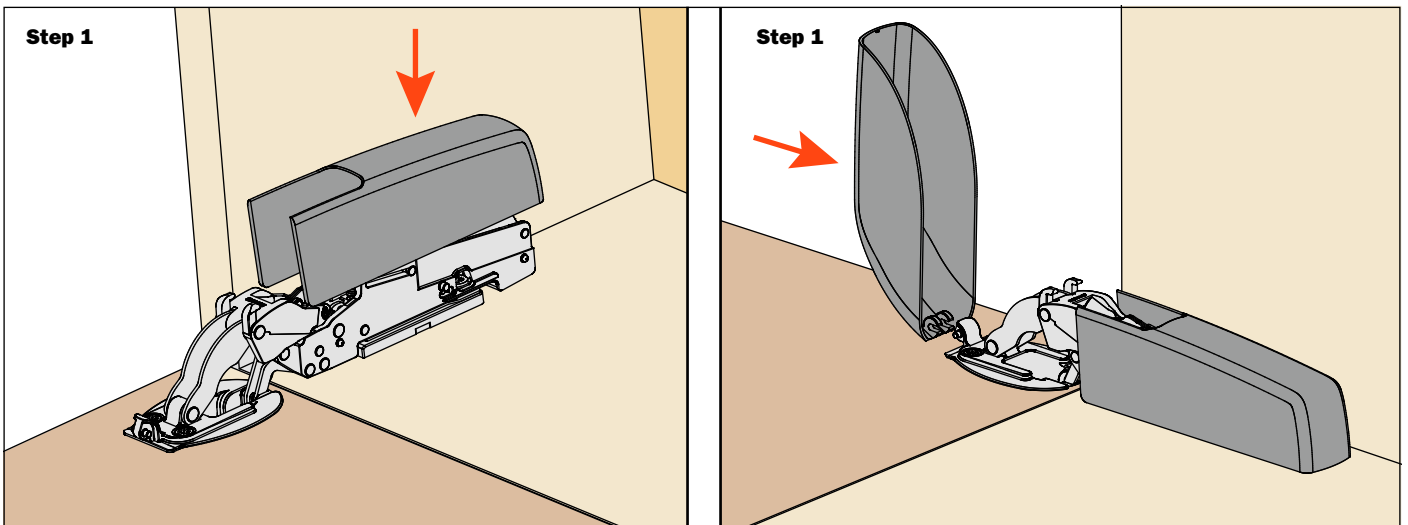


Lift the door slightly and snap the other end of the Smove into position. This operation is tool free.

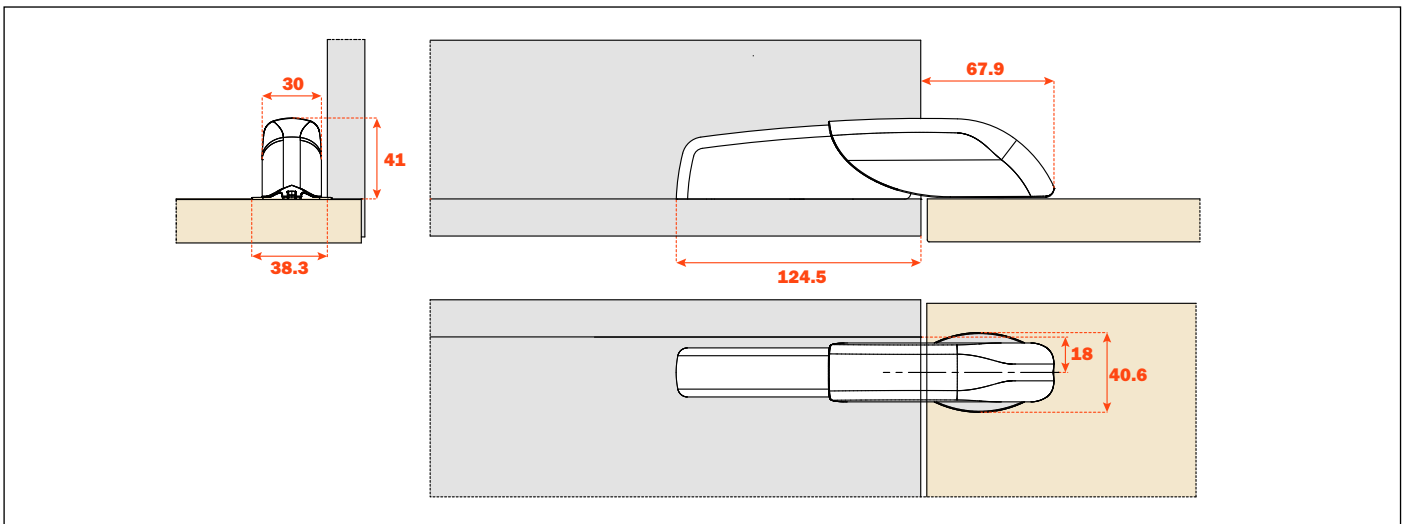


Installing the cover

First install the cover to the hinge arm (step 1), then the cover to the cup (step 2) then rotate downwards.



Dimensions

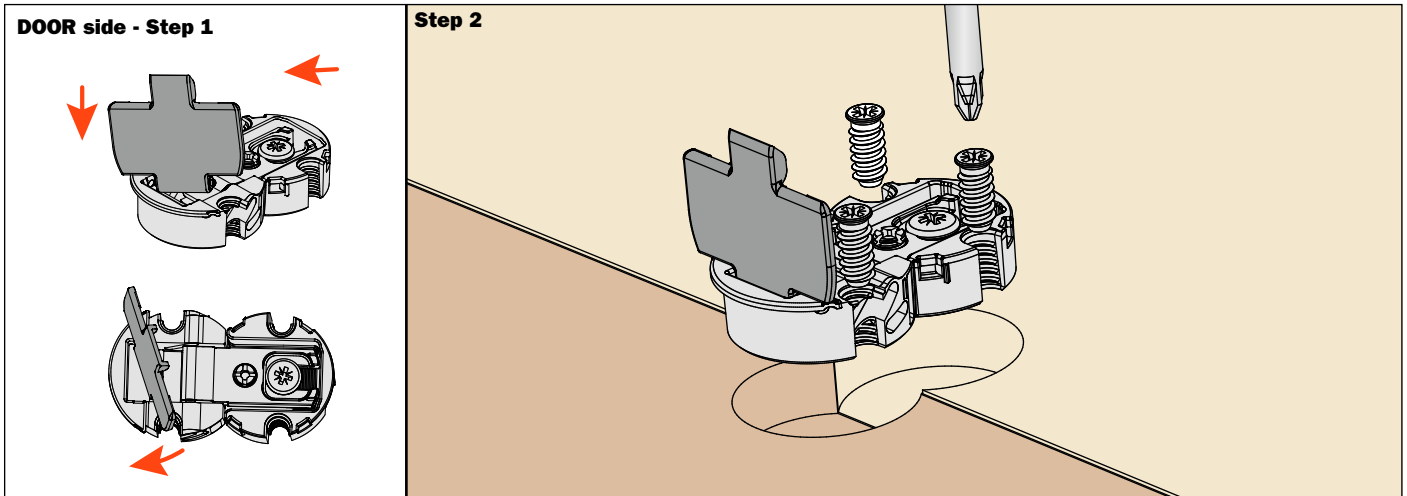


Assembly instructions for the center hinge

Installation of the center hinge

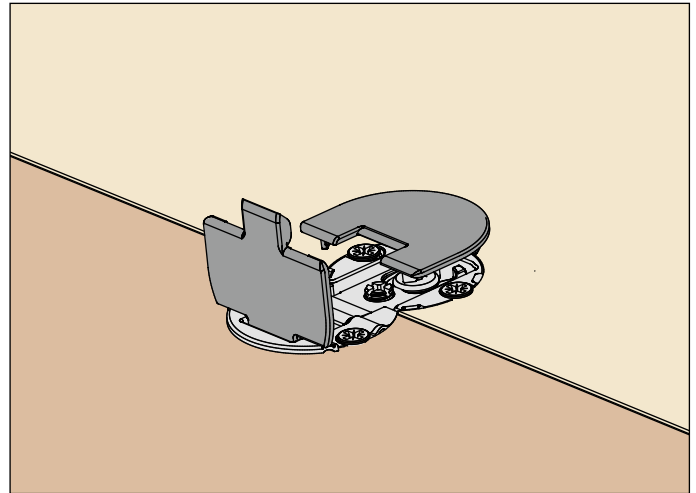
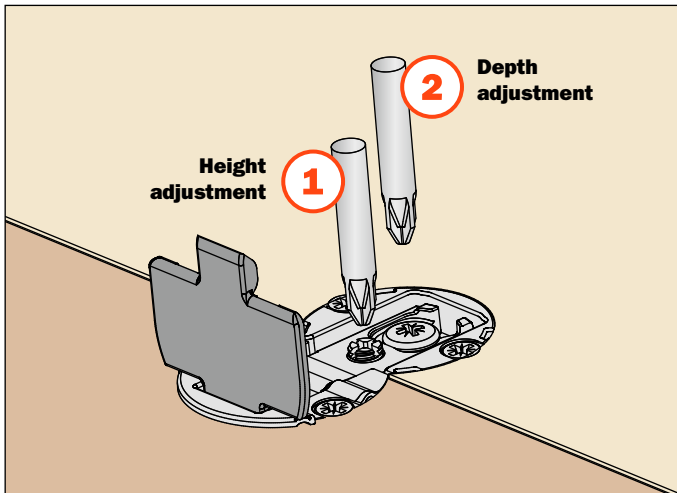
Recommended to install a hinge for cabinets 30"/762 mm or wider.

Install the cover cap onto the hinge according to the drawing (step 1) and then screw the hinge to the cabinet (step 2).

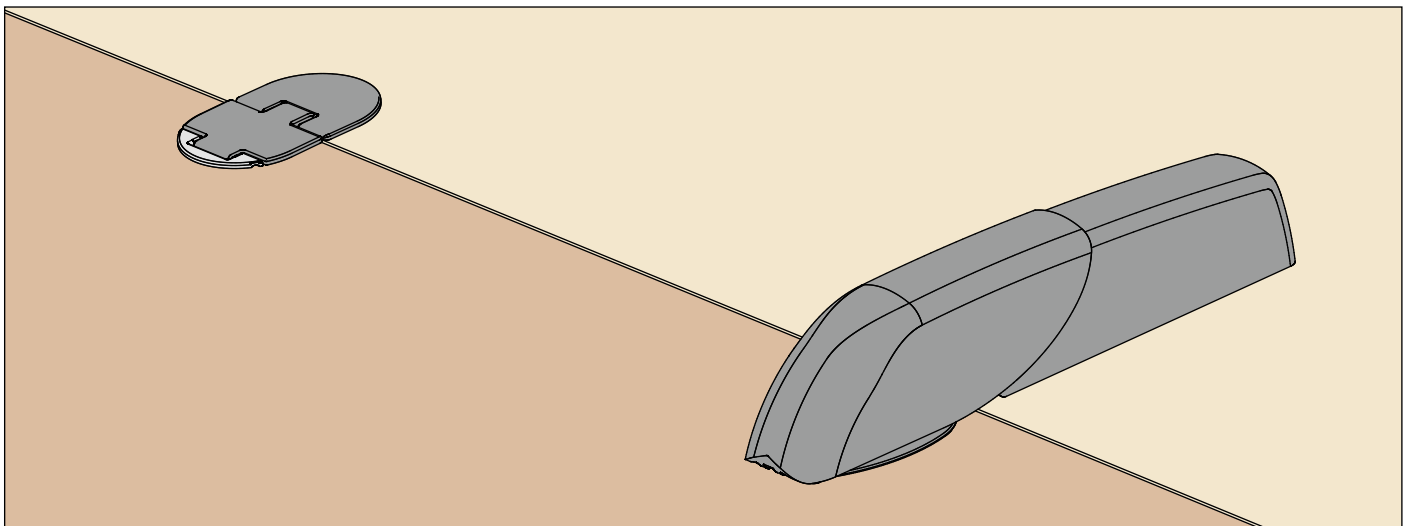


After attaching the hinge, make any adjustments required

Install the cover cap onto the hinge on the cabinet side

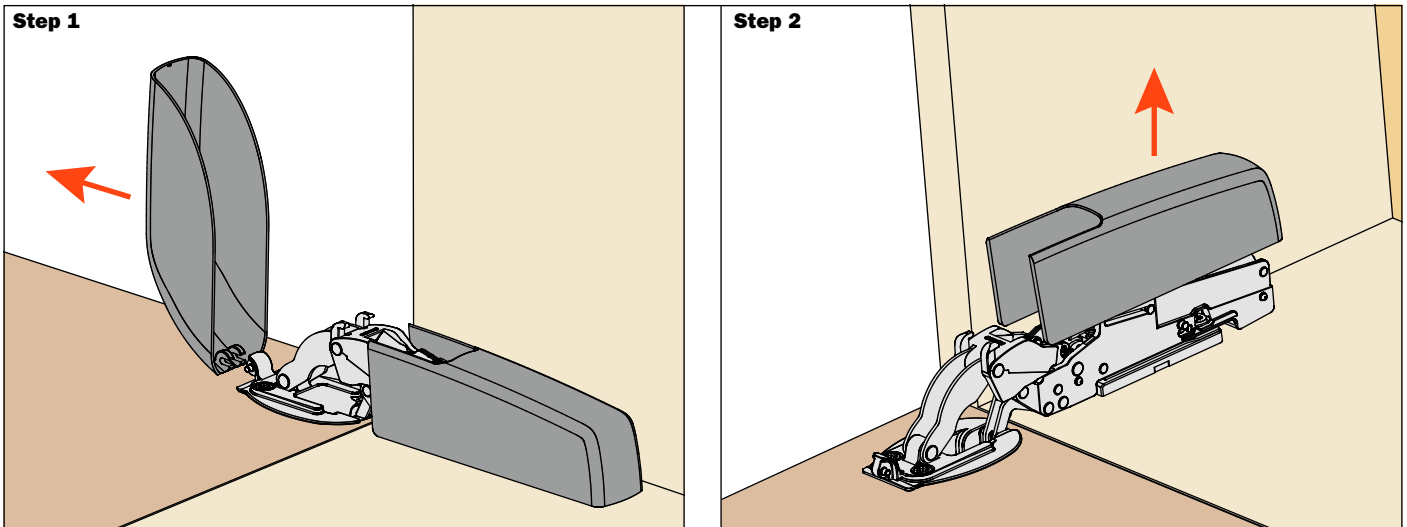


Overall view of the mounted system



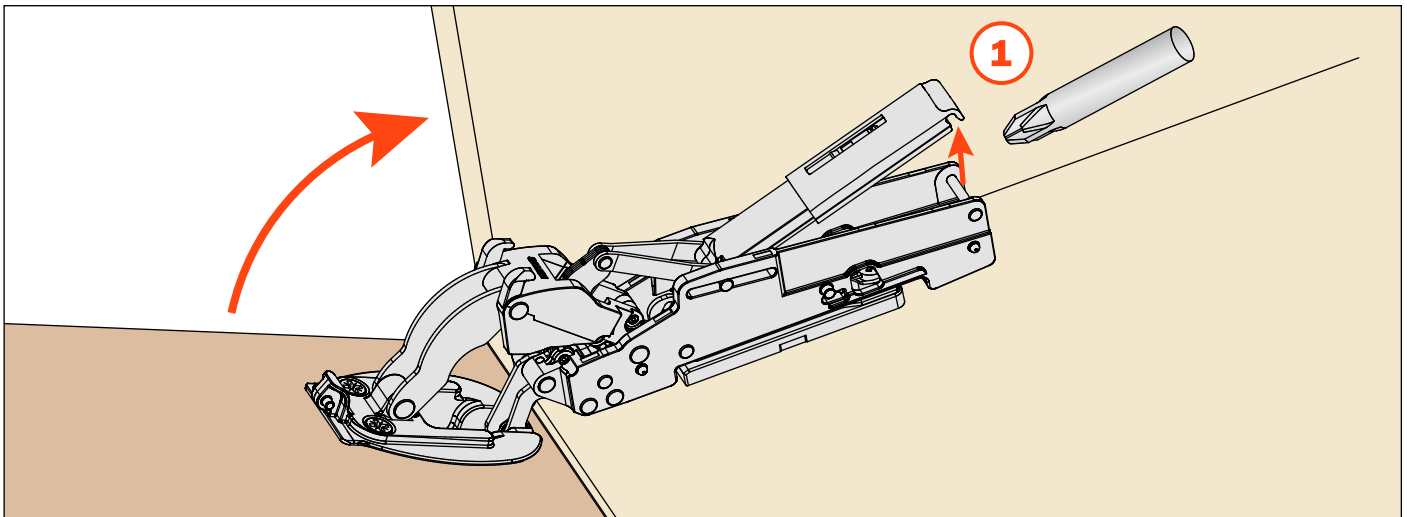
Removal of the cover

First remove the cover from the hinge cup (step 1), then the cover from the arm (step 2).

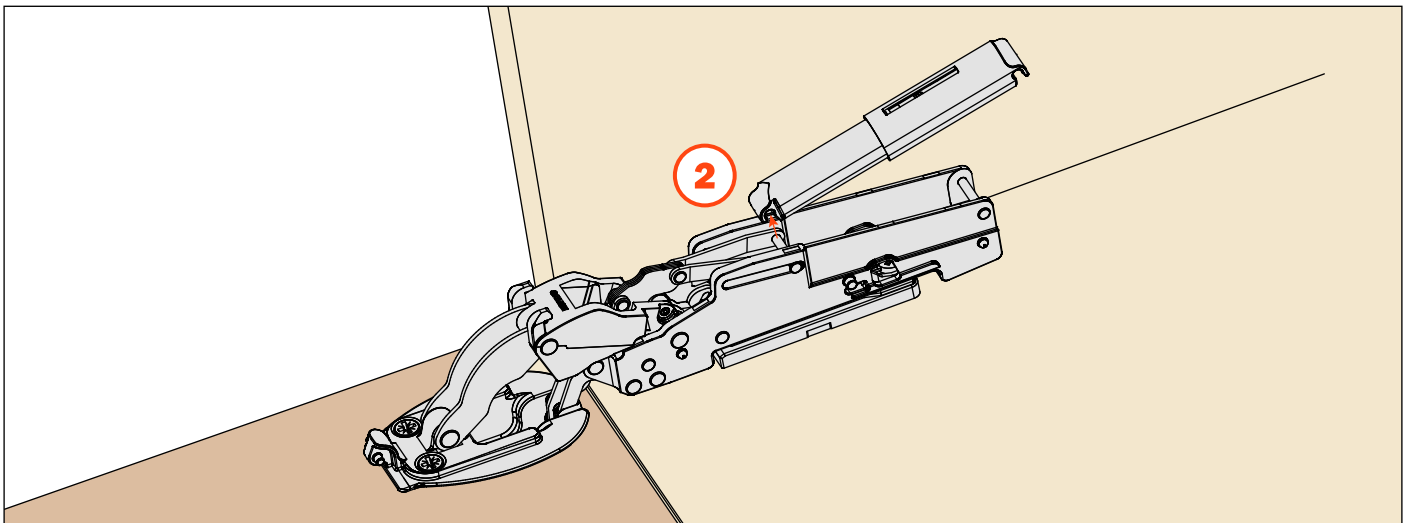


Removing the Smove from the hinge arm

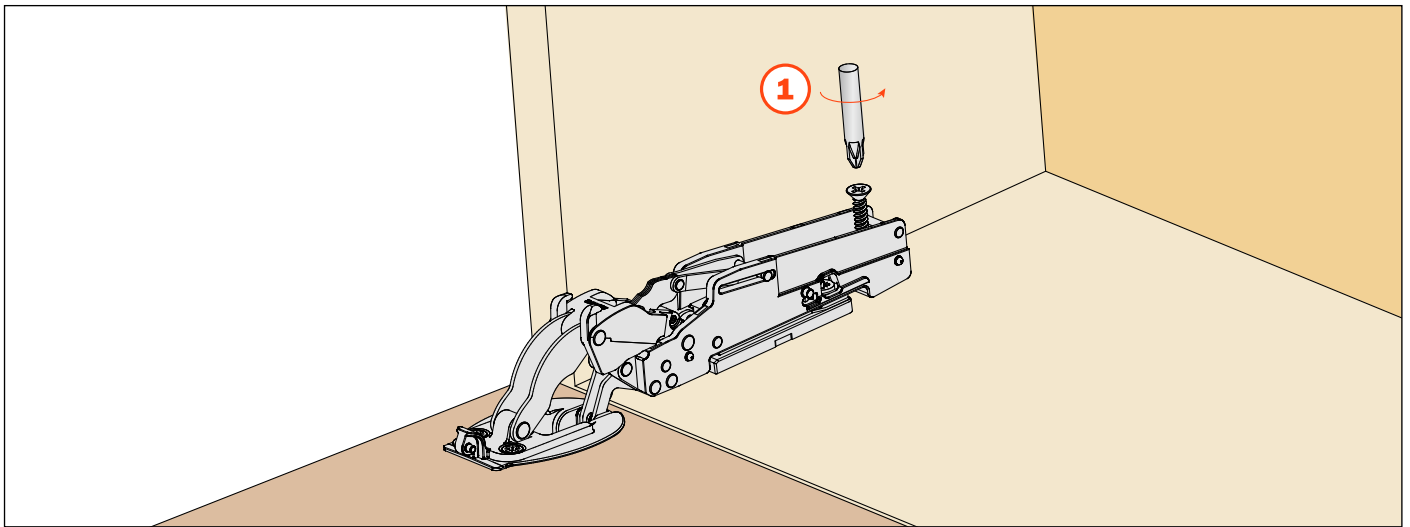
Lift the door slightly and un-snap the back of the Smove using a screwdriver.



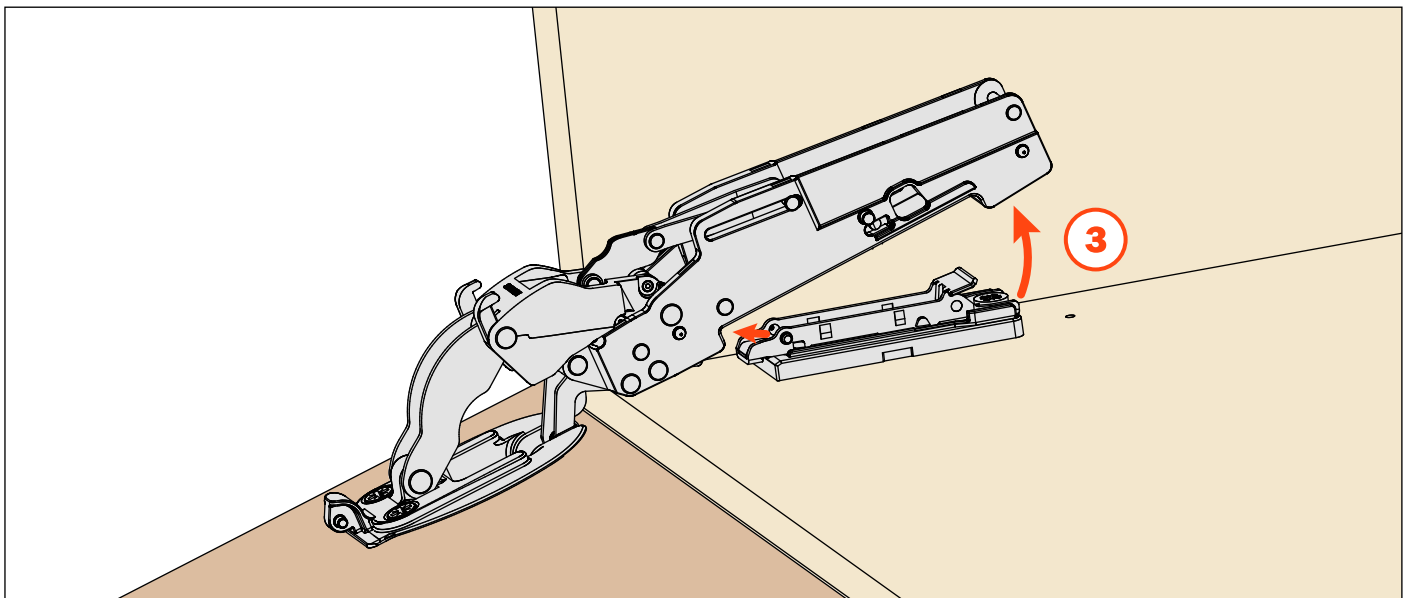
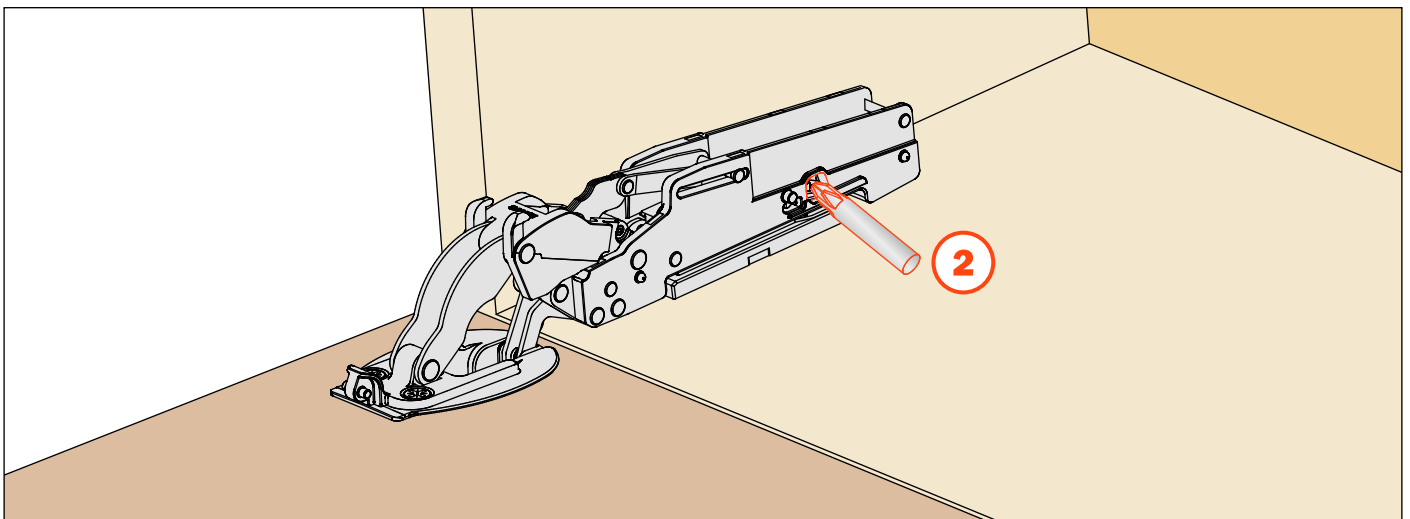
Un-snap the other end of the Smove.



Remove the security wood screw

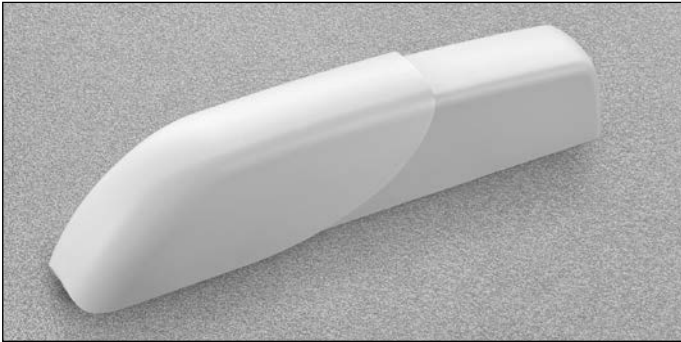


Un-snap the hinge from the mounting plate with a screwdriver



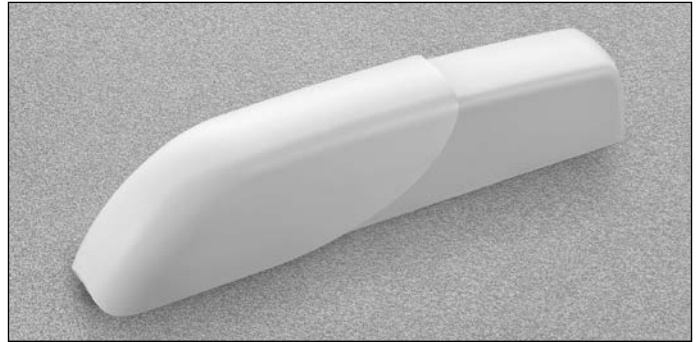
SRXB78A1XXXX_

White



SRXB78Q1XXXX_

Glossy white



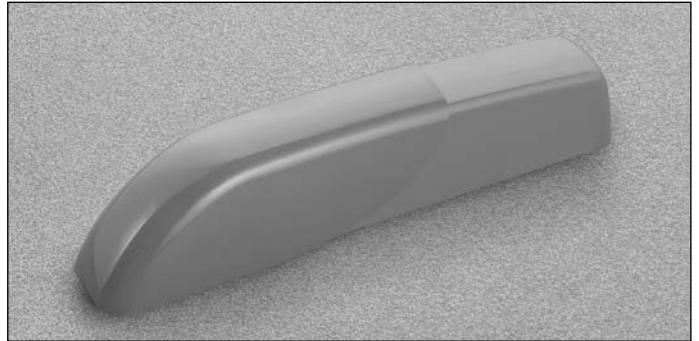
SRXB78A1XXXX_

Stainless steel



SRXB78AMXXXX_

Gray



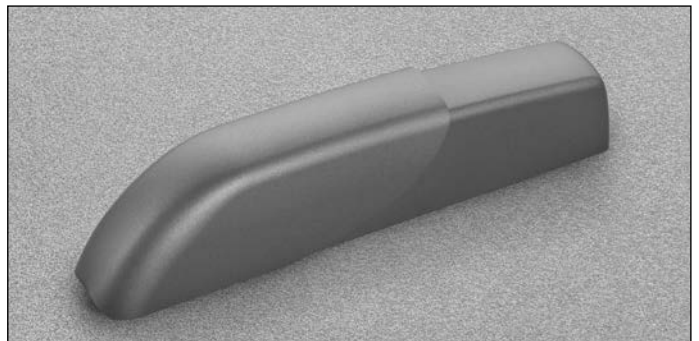
SRXB78ACXXXX_

Champagne



SRXB78A0XXXX_

Satin metal black



SRXB78ANXXXX_

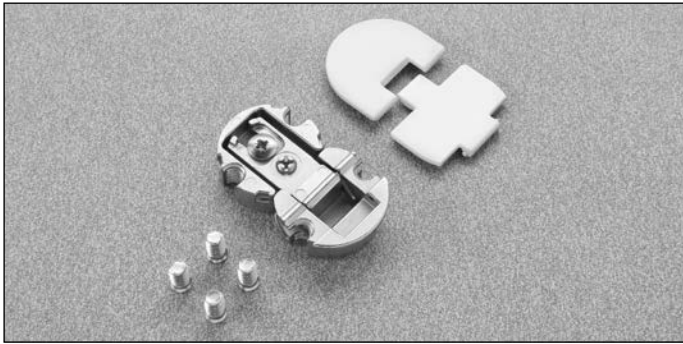
Glossy metal black



Center hinge cover finishes

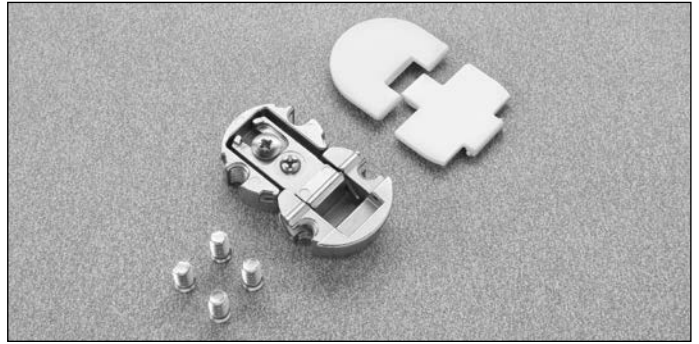
FRCK59RXXX1

White



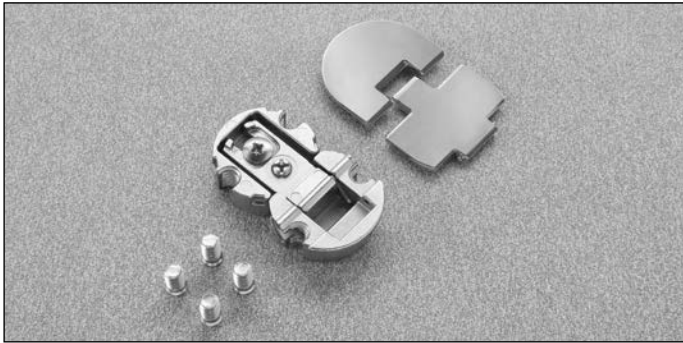
FRCK59RXXXQ

Glossy white



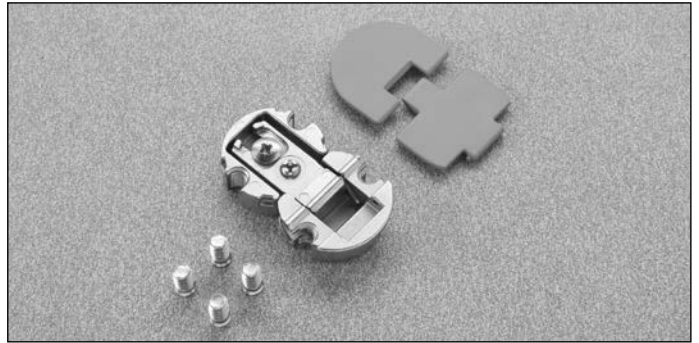
FRCK59RXXXI

Stainless steel



FRCK59RXXXM

Gray



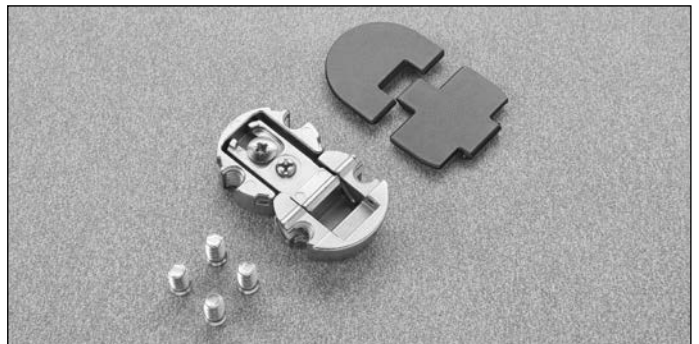
FRCK59RXXXC

Champagne



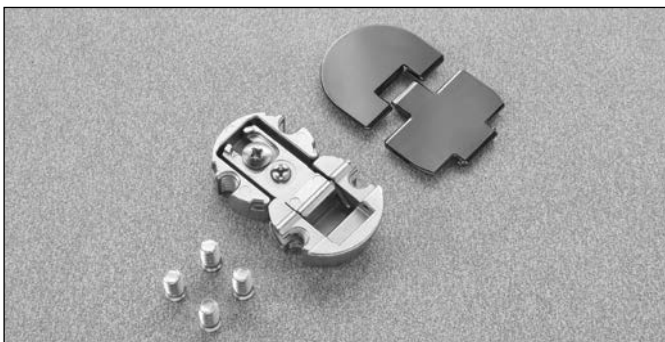
FRCK59RXXXO



Satin metal black




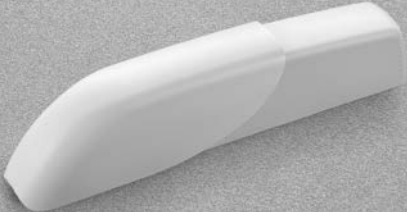
FRCK59RXXXN

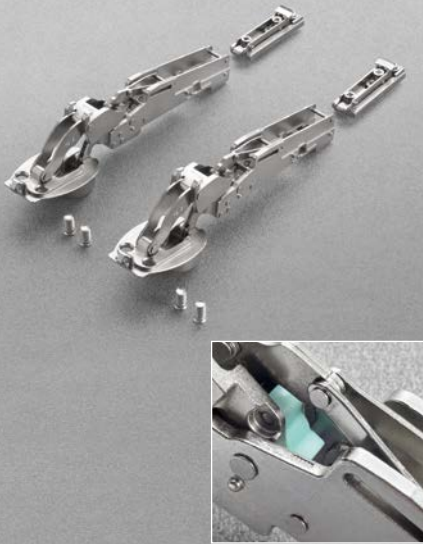
Glossy metal black

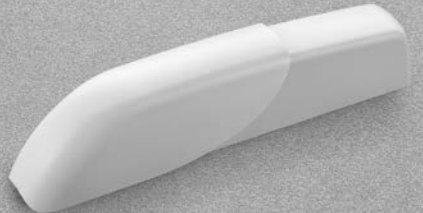



INDUSTRIAL PACKAGING SPECIAL ORDER	PART NUMBER	PACKAGING
 	<p>SELF CLOSE</p> <p>FRBKINXXSN9</p>	<p>1 carton contains:</p> <p>18 hinges</p> <p>•</p> <p>18 mounting plates</p> <p>•</p> <p>Attachment screws included ø5 x 13 & #6 x 1"</p>
	<p>PUSH OPENING</p> <p>FRBKINPXS9</p>	

SMOVE INDUSTRIAL PACKAGING	PART NUMBER	PACKAGING
	<p>DRB_XXYXI</p> <p>↑</p> <p>SMOVE SOFT OPENING STRENGTH</p>	<p>1 carton contains:</p> <p>18 pcs.</p>

COVER INDUSTRIAL PACKAGING	PART NUMBER	PACKAGING
	<p>SRXB78A_XXXXI</p> <p>↑</p> <p>COVER FINISH</p>	<p>1 carton contains:</p> <p>18 covers</p>

KIT PACKAGING	PART NUMBER	PACKAGING
	<p align="center">SELF CLOSE</p> <p align="center">FRBKFEX_SN9</p> <p align="center">↑</p> <hr/> <p align="center">SMOVE SOFT OPENING STRENGTH</p>	<p>1 carton contains:</p> <ul style="list-style-type: none"> 2 hinges · 2 mounting plates · 2 Smove · <p>Attachment screws $\varnothing 5 \times 13$ euro screw & #6 x 1" Pozi drive wood screw.</p>
	<p align="center">PUSH OPENING</p> <p align="center">FRBKFEP_SN9</p> <p align="center">↑</p> <hr/> <p align="center">SMOVE SOFT OPENING STRENGTH</p>	

COVER KIT PACKAGING	PART NUMBER	PACKAGING
	<p align="center">SRXB78A_XXXXF</p> <p align="center">↑</p> <hr/> <p align="center">COVER FINISH</p>	<p>1 carton contains:</p> <ul style="list-style-type: none"> 2 covers

CENTER HINGE	PART NUMBER	PACKAGING
	<p align="center">FRCK59RXXX_</p> <p align="center">↑</p> <hr/> <p align="center">CENTER HINGE COVER FINISH</p> <p>Suggested for cabinets 30"/762 mm or wide</p>	<p>1 carton contains:</p> <ul style="list-style-type: none"> 1 hinge 1 cover cap for door 1 cover cap for cabinet · <p>Attachment screws included $\varnothing 5 \times 13$</p>

PACTA - Door weight / Height Tables

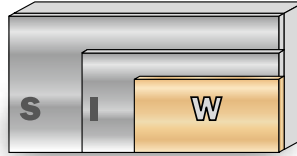
Use the charts to determine the correct Smove based on the door height and the door weight. The maximum door width for two Pacta with a center hinge is 48"/1200mm.

Note: Pacta can be used on doors that are larger or heavier by adding additional Pacta and center hinges to the cabinet and door. For all applications requiring more than two Pacta, this must be checked by Salice's technical department. Please consult with your local sales representative or contact technical service.

DRBWXXYXI

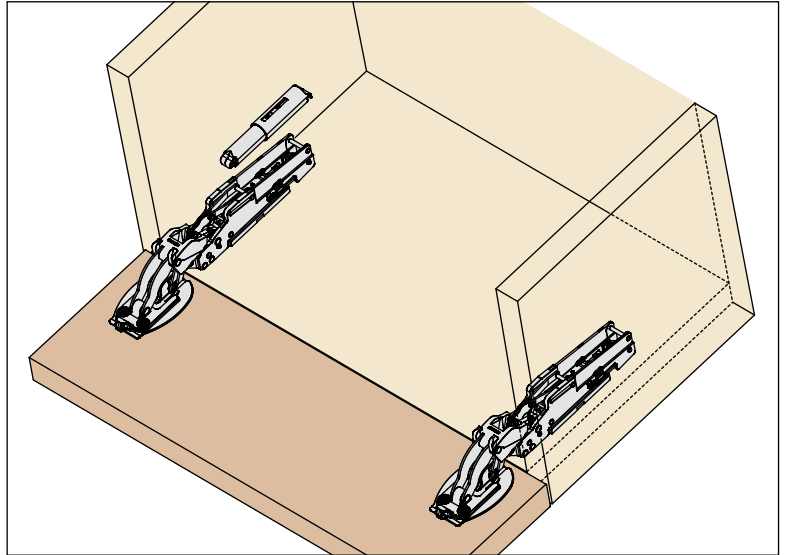
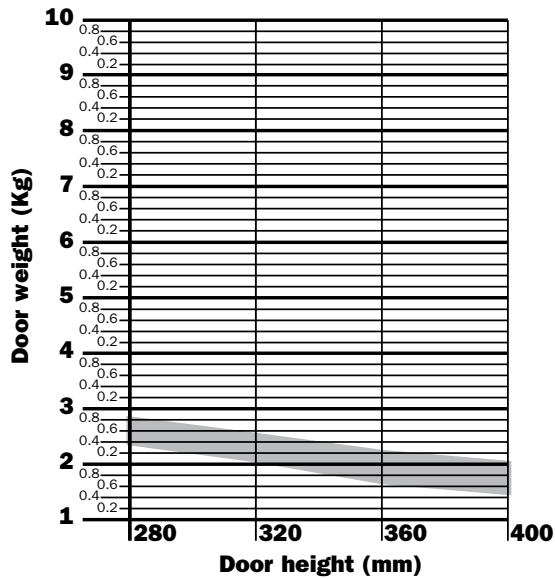


Gray Smove



For doors made of light materials, one Smove may be sufficient.

Min door height- 11"
Max door height- 16"

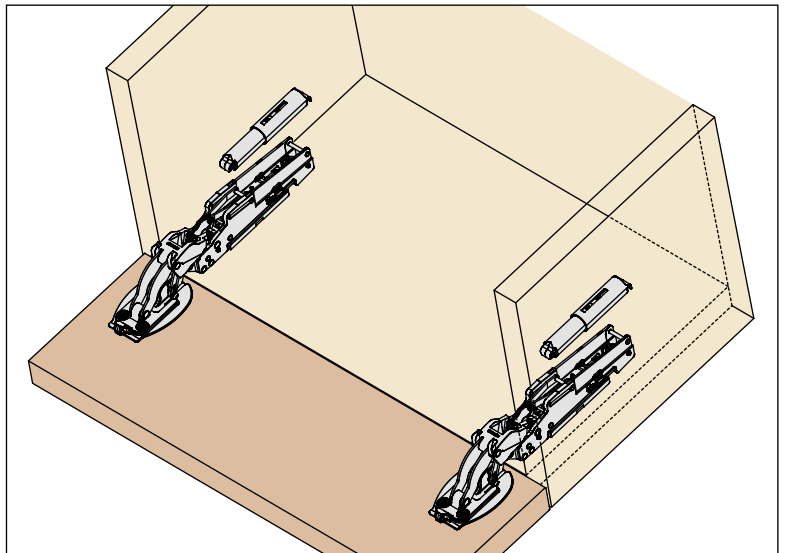
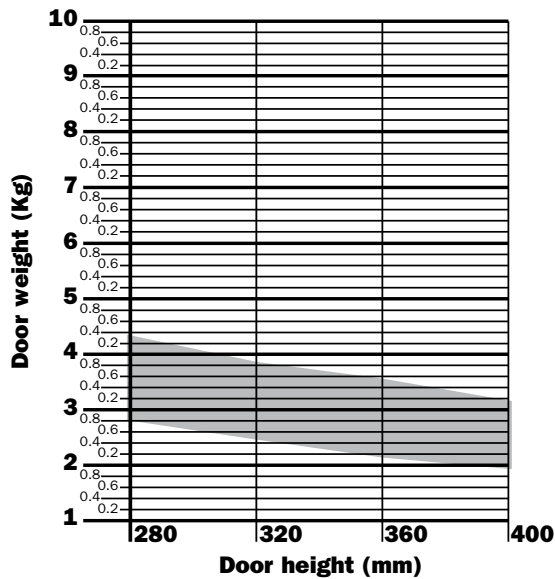


DRBWXXYXI

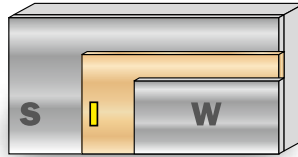


Gray Smove

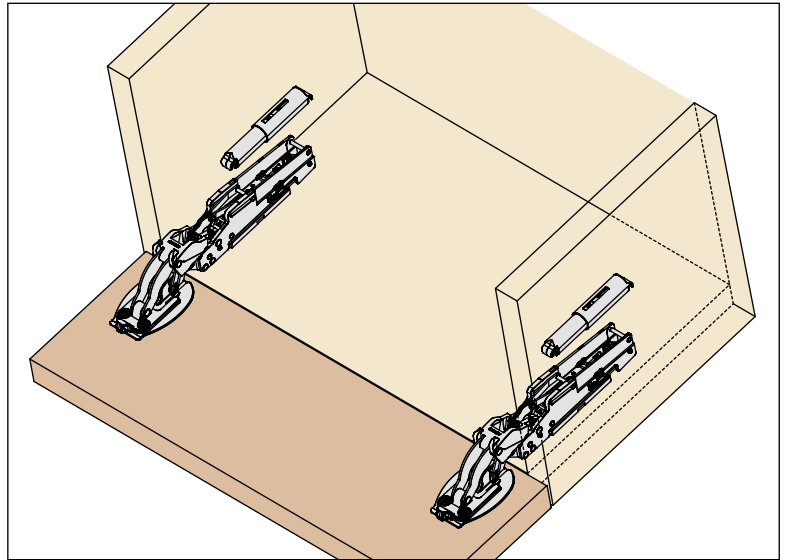
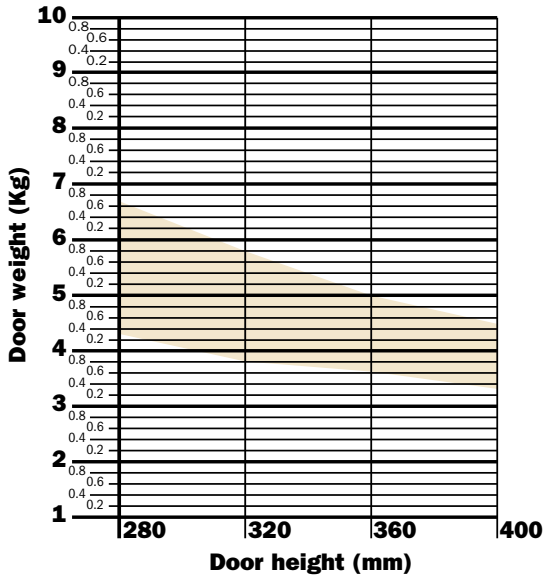
Min door height- 11"
Max door height- 16"



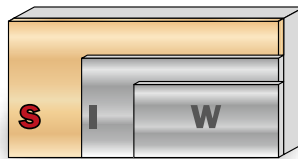
DRB|XXYXI



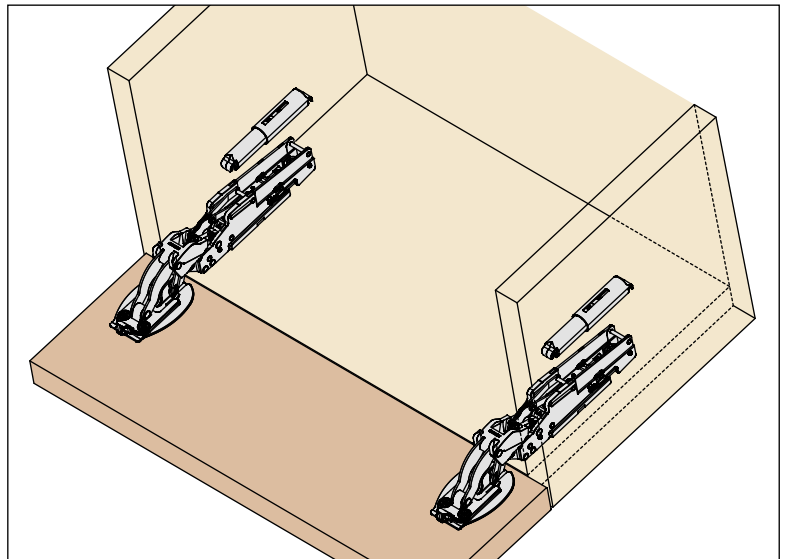
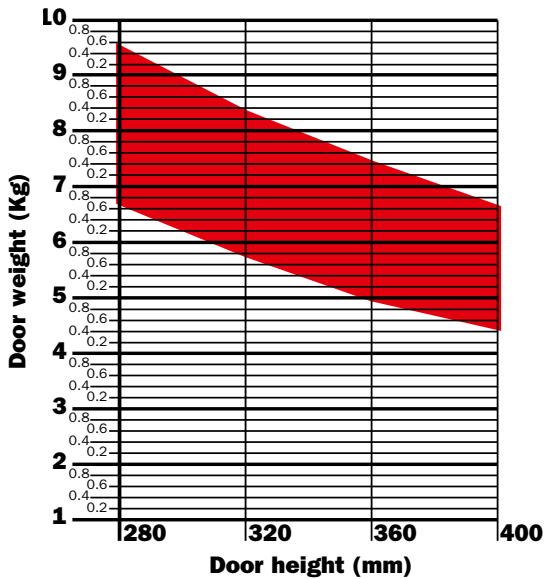
Min door height- 11"
Max door height- 16"



DRBSXXYXI



Min door height- 11"
Max door height- 16"



Magnetic Push



Magnetic Push - Release device and retaining catches

DPMSNB - beige



DPMSNG - gray



Release device
ø 10 mm, 40 mm length.

Packing

Boxes 250 pcs.
Cartons 1.500 pcs.

DPASNB - beige



DPASNG - gray

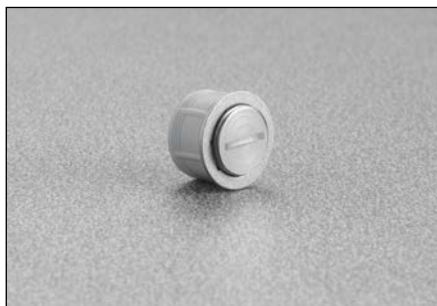


Optional magnetic device to increase the holding strength.
It must always be used together with the DPM.
The suggested position of the DPM is the point of pressure on the door. The DPA can be positioned at any point along the opening edge of the door.
ø 10 mm, 40 mm length.

Packing

Boxes 250 pcs.
Cartons 1.500 pcs.

DP39XXG



Adjustable magnetic catch inserted into the door.
ø16.6 mm

Packing

Boxes 250 pcs.

DP28SN9

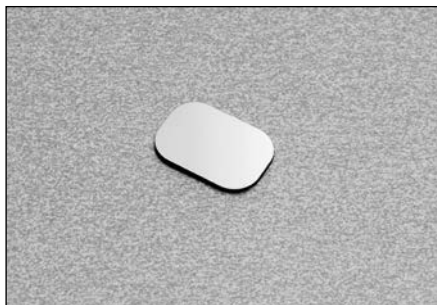


Retaining catch to be inserte with pin.
ø 11.5 mm.

Packing

Boxes 250 pcs.

DP38XX91



Retaining catch with adhesive.
20x14 mm surface.

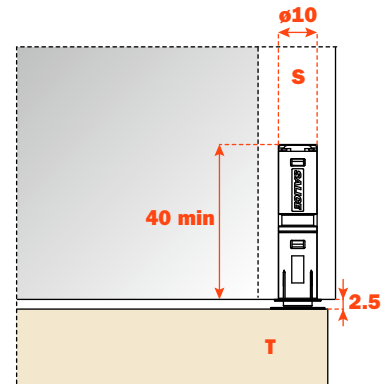
Packing

Boxes 250 pcs.

Release device application

Release / magnetic device to be inserted

Drill a hole \varnothing 10 mm and min. 40 mm depth in the top, the side or the bottom panel of the cabinet.
Insert the release device into the hole.

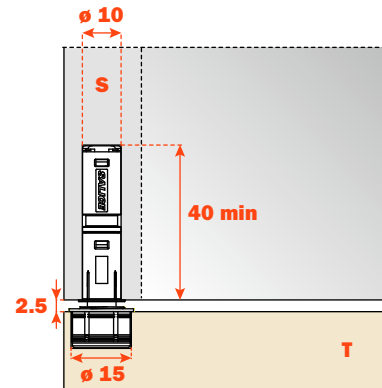


Adjustable magnetic catch

The adjustable catch DP39 is itself magnetic and together with the magnetism of the release device DPM considerably increase (30%) the holding strength of the door against the cabinet side, thus avoiding accidental openings.

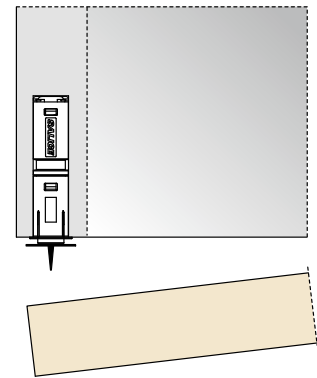
For the installation it is necessary to drill a hole \varnothing 15 mm and 11 mm depth in the door.

Depth adjustment from -0.5 mm to +2.5 mm.



Retaining catch to be inserted

Apply the retaining catch to the magnetic release device.
Close the door.
The point of the retaining catch will show where to insert it.
Reopen the door and press the pin to fix in position.



Retaining catch with adhesive

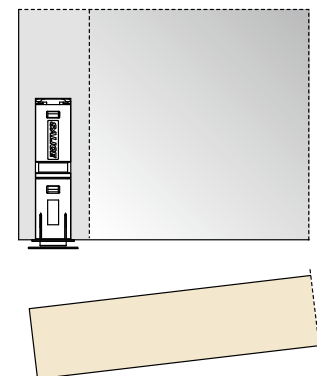
Apply the retaining catch to the magnetic release device. Remove the protective strip from the adhesive. Close the door. In this way the retaining catch is positioned on the door.
Reopen the door and apply a firm pressure to the retaining catch to ensure a correct installation.

ATTENTION:

For a correct application and to ensure optimal endurance, we suggest these guidelines are followed:

- 1 - clean and degrease the door surface where the retaining catch is to be installed;
- 2 - remove the protective strip from the adhesive;
- 3 - place the retaining catch in position, in a place that is at room temperature $\geq 10^\circ$ (50° F) and apply a firm pressure for 10-15 seconds.

After few seconds from the installation the retaining catch is suitable for the use.
After 24h the max. hold is attained.



SALICE AMERICA INC.

2123 CROWN CENTRE DRIVE
CHARLOTTE NC. 28227
TEL. 1-800-222-9652
704 8417810
FAX 704 8417808
info.salice@saliceamerica.com
www.saliceamerica.com

SALICE CANADA Inc.

4025 SLADEVIEW CRESCENT
UNIT # 7 - 9
MISSISSAUGA, ONTARIO L5L 5Y1
TEL. 1-800-361-1045
TEL. 905-820-8787
FAX 905-820-7226
www.salicecanada.com
info.salice@salicecanada.com