

Penture Grass Tiomos 110° Coin mort
110° Blind corner Grass Tiomos hinge



- Angle d'ouverture 110°
- Fermeture amortie intégrée au bras avec 3 réglages
- Épaisseur de porte jusqu'à 22 mm
- Profondeur de perçage 12.6 mm
- Ajustement de la profondeur à l'aide d'une vis sur la penture
- Réglage dans trois dimensions avec plaque de montage correspondante
- Écart minimum entre les portes

- *Opening angle 110°*
- *Three settings integrated damper*
- *Front to back adjustment with a screw on the hinge*
- *Door thickness up to 22 mm*
- *Cup depth 12.6 mm*
- *3-dimensional adjustment with corresponding mounting plate*
- *Minimum gap requirements*

PEN-GT110CMGS

Penture avec amortisseur intégré et goujons
Hinge with damper and dowels

PEN-GT110CMG

Penture avec goujons, sans amortisseur
Hinge with dowels, without damper

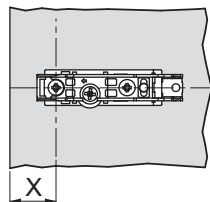
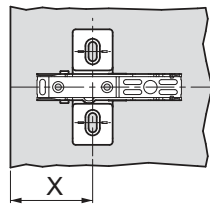
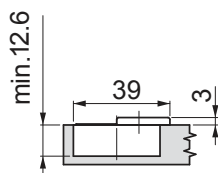
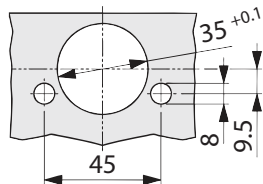
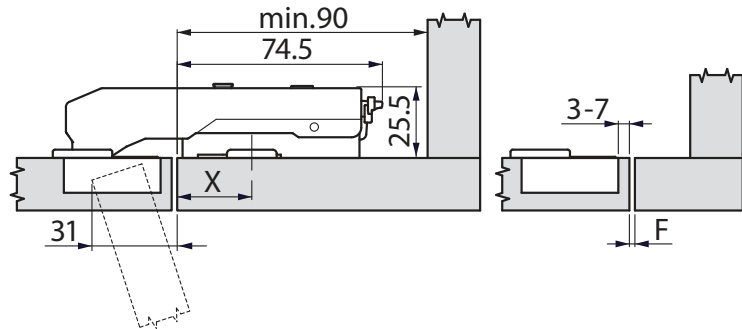
PEN-GT110CMB

Penture coin mort 110° avec vis à bois, sans amortisseur
110° blind corner hinge with wood screw fixing, without damper.

PEN-GT110CMBS

Penture Grass Tiomos coin mort 110° avec vis à bois et amortisseur intégré

110° blind corner hinge with wood screw fixing and integrated damper



Distance plaque (X) Plate distance	Distance perçage/ Boring distance			
	4	5	6	7
28	1	0		
27	2	1	0	
26	3	2	1	0
	Écart / Gap (F)			

Distance plaque (X) Plate distance	Distance perçage/ Boring distance			
	4	5	6	7
11.0	1	0		
10.0	2	1	0	
9.0	3	2	1	0
	Gap (F)			





TÜV Rheinland LGA Products GmbH

Quality Certificate



The TÜV Rheinland LGA Products GmbH confirms herewith that the enterprise



arranges for testing and controlling continuously the products

Hinge "TIOMOS Click-on"

acc. to the conditions laid down in the general contract.
The quality criteria listed below are fully met.

Quality Characteristics	Data / Facts
Strength and functionality	Requirements according to EN 15570 level 3, DIN EN 14749 and LGA-directive fulfilled.
Durability	80 000 cycles
High pull out strength	80 N
Vertical load	330 N
Technical safety properties	Verified for domestic-, kitchen- and contract use.
System and comfort properties	The soft closing is achieved through the integrated soft-close technology with 3 tool free damping levels. Easy assembly with Click-on technology.
Quality assurance	external and internal control.

Nuremberg, 2011-03-24

Quality Certificate no. 60038106
TRLP-Test Report: 21163630

Dipl.-Ing.(FH) R. Heym
Certification body

